

ATTACK OF THE CLONES

Geonosis™ Battle Arena

with "Secret" Hangar & Droid Factory

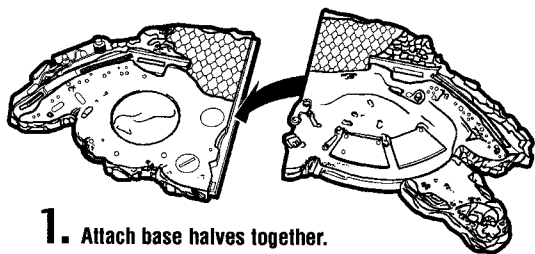
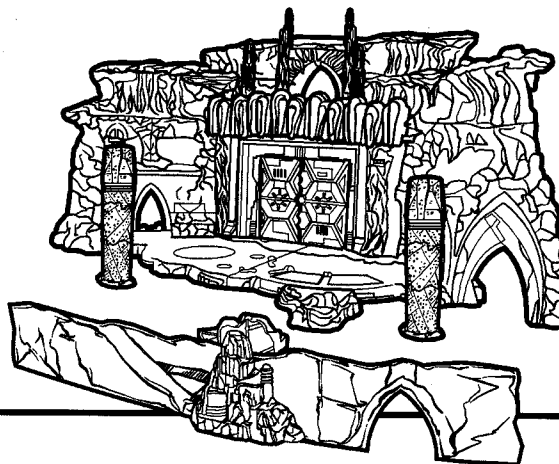
Some assembly required. No tools needed. Includes unassembled arena, unassembled droid factory, 2 columns, label sheet and instructions. Figures, beasts, droids, and accessories sold separately.

Ages 4+
84896

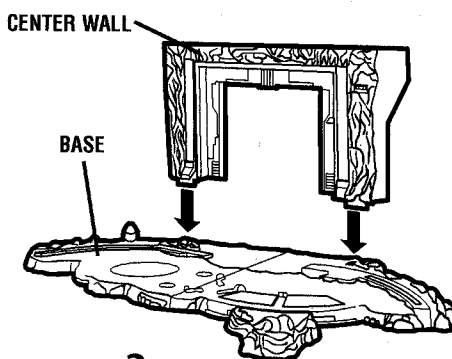


WARNING:

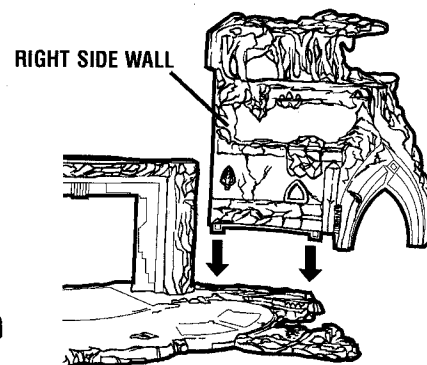
CHOKING HAZARD—Small parts. Not for children under 3 years.



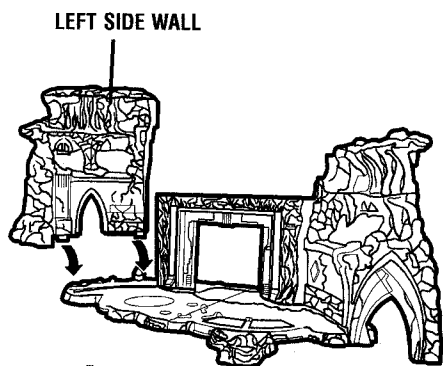
1. Attach base halves together.



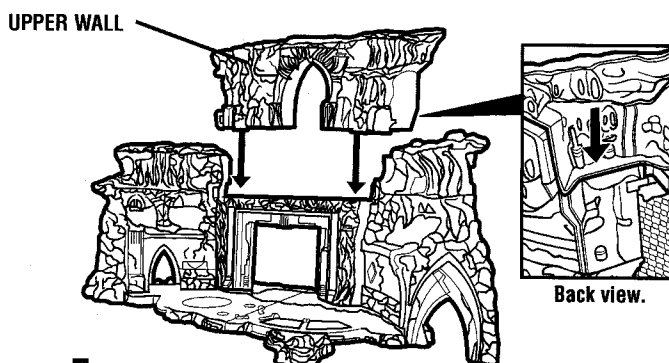
2. Attach center wall to base.



3. Attach right side wall.

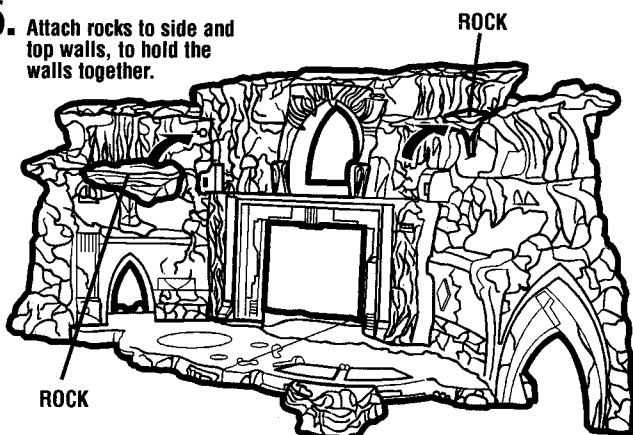


4. Attach left side wall.

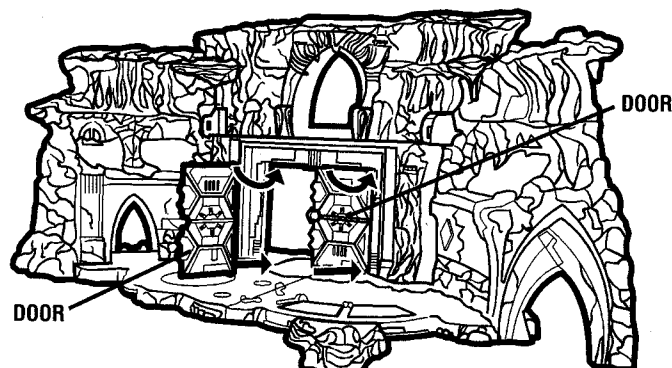


5. Insert one tab on upper wall into hole in balcony, and snap into place, as shown. Repeat for other tab.

6. Attach rocks to side and top walls, to hold the walls together.



7. Insert large door post into hole in upper doorway. Snap other post into hole in floor. Repeat for other door.



BALCONY



8. Attach balcony to balcony floor.

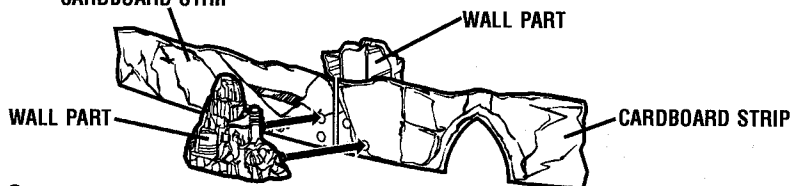
COLUMNS COLUMNS



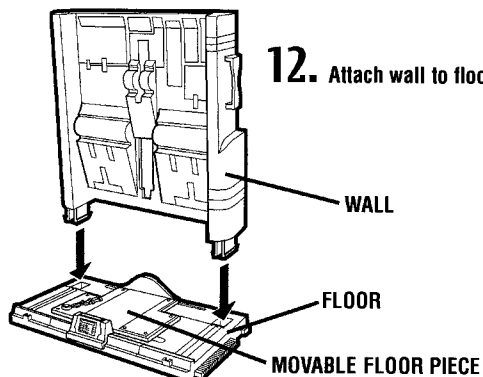
9. Place 4 columns on balcony and 2 columns on upper wall as shown.

CARDBOARD STRIP

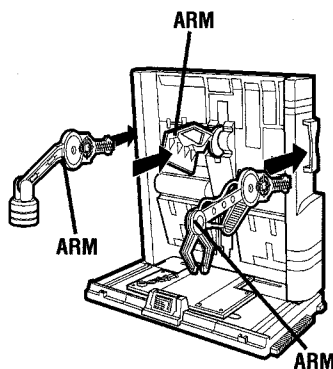
WALL PART



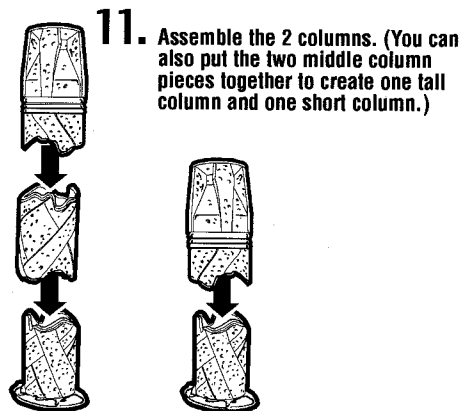
10. To create outer wall, insert posts on wall parts into holes on one end of each cardboard strip, as shown. NOTE: The cardboard strips have an inside and an outside. The scene on the inside shows a wall; the scene on the outside shows a plane hangar and background battle. Place the inside facing toward the assembled arena.



12. Attach wall to floor.

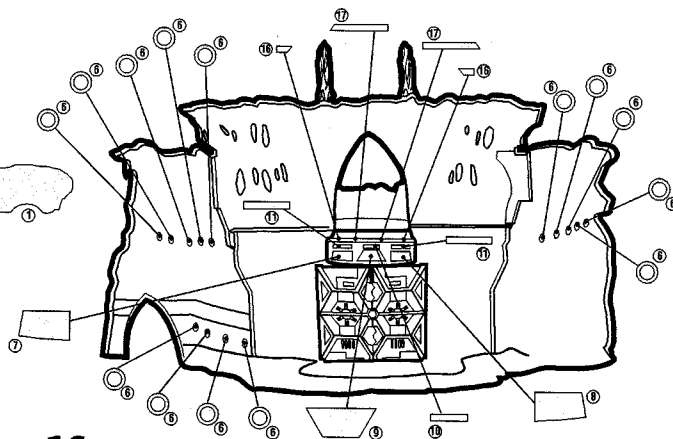


13. Droid factory section comes with 3 interchangeable arms. Attach one arm to the wall lever. Insert the remaining 2 arms into the slots on each side of the wall. The assembled factory section can be attached to the arena. Slide movable floor piece back and forth, to make the wall lever move up and down.



11. Assemble the 2 columns. (You can also put the two middle column pieces together to create one tall column and one short column.)

14. Peel and apply labels as shown.



15. Action features (figures not included):
• Turn attack wheel - figure spins and knocks down surrounding enemies!
• Place figures on doors in base. Slide lever. Figures get knocked off base!
• Slide balcony bridge out and in to make figures fall from balcony!
• Lots of areas to place figures for all kinds of battle scenes!

16. Add Deluxe Sets (not included) to arena to re-create movie scenes!
• C-3PO™ with Droid Assembly Line
• Yoda with Force™ Powers
• Flying Geonosian™



Product and colors may vary.
© 2002 Lucasfilm Ltd. & © or TM where indicated. All rights reserved.
Used under authorization.
®* and/or TM* & © 2002 Hasbro. All Rights Reserved.
** ® denotes Reg. U.S. Pat. & TM Office.

P/N 617884000