

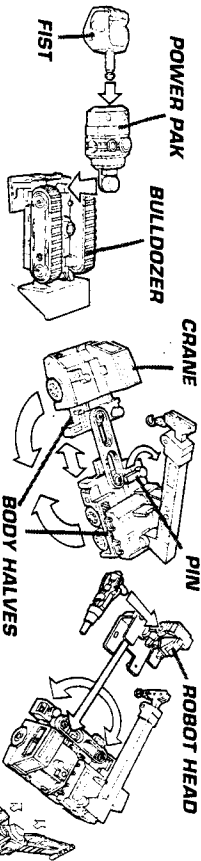
DEVASTATOR™ INSTRUCTIONS

AGES 5 AND UP

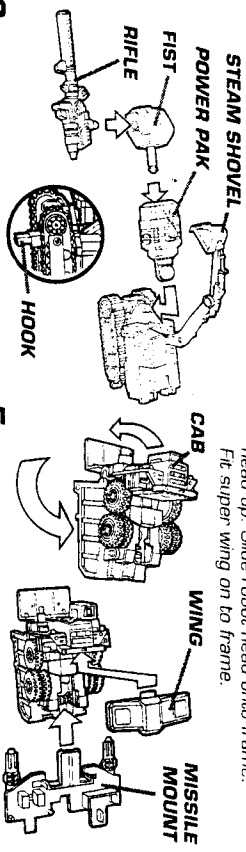
Assemble Devastator as shown.

Adult supervision may be necessary for younger children.

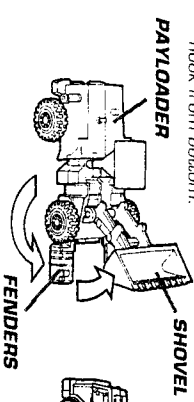
Before assembling Devastator, convert each Constructicon® as shown.



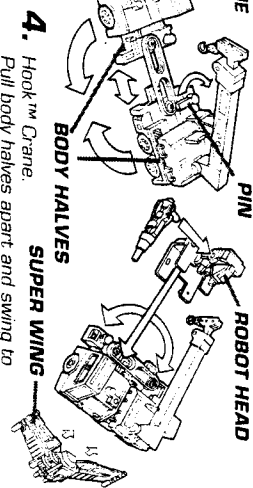
1. Bonecrusher™ Bulldozer.
Attach Power Pak to post. Insert fist into Power Pak.



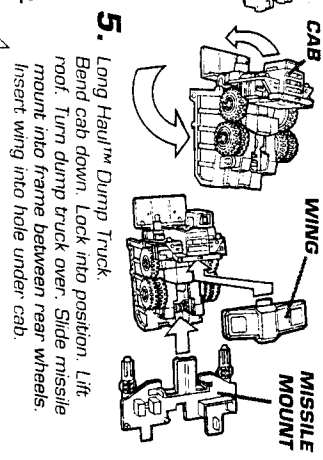
2. Scavenger™ Steam Shovel. Attach Power Pak to post. Insert fist into Power Pak. Insert rifle into fist. Pull out hook from bottom.



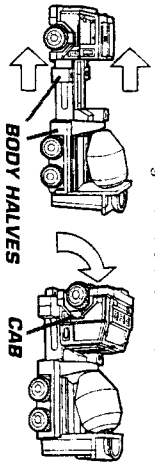
3. Scrapper™ Payloader. Lift shovel. Swing front fenders down and around.



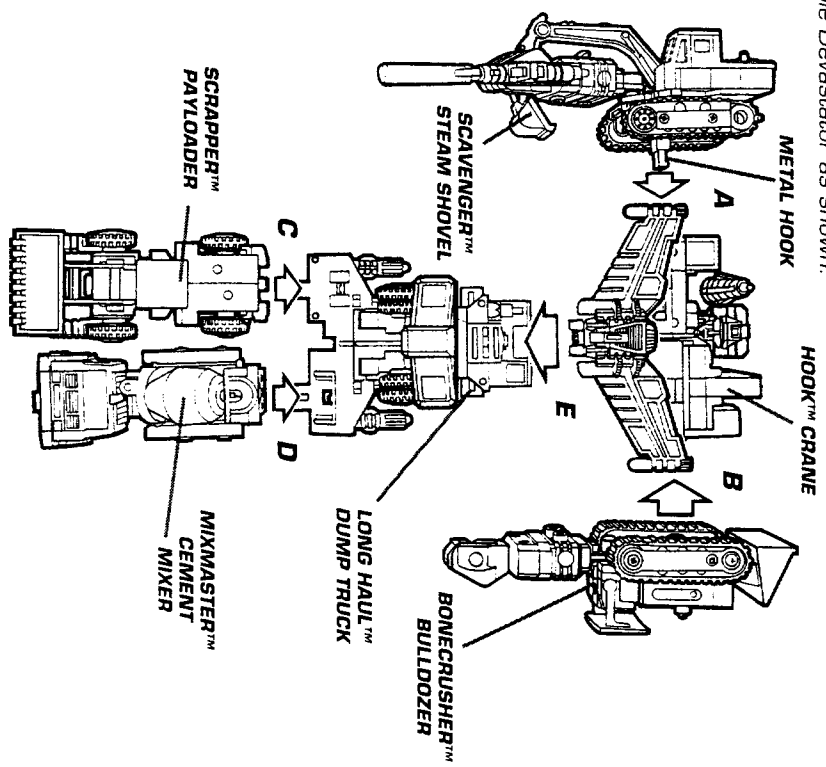
4. Hook™ Crane.
Pull body halves apart and swing to sides. Swing pin out to side. Flip robot head up. Slide robot head onto frame. Fit super wing on to frame.



5. Long Haul™ Dump Truck.
Bend cab down. Lock into position. Lift roof. Turn dump truck over. Slide missile mount into frame between rear wheels. Insert wing into hole under cab.



6. Mixmaster™ Cement Mixer.
Pull body halves apart. Grasp cab from underneath and swing up.



A. To attach steam shovel to crane, rotate cab on crane down. Angle steam shovel, insert metal hook into hole in side of crane. Swing steam shovel down. Swing cab back up.
B. Press hole on bottom of bulldozer over post on side of crane.
C: Push rear of payloader onto missile mount on dump truck.
D. Push rear of cement mixer onto missile mount on dump truck.
E. Place post and hole on crane onto hole and post on dump truck.