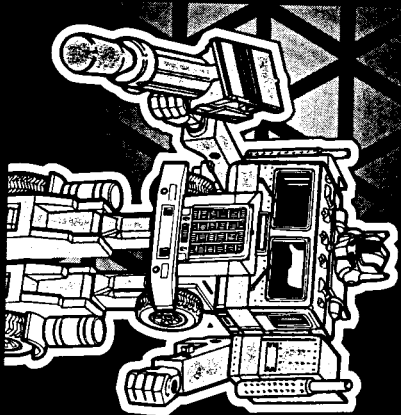


INSTRUCTIONS

AGES 5 & UP

THE
TRANSFORMERS
IN DISGUISE
FORMERS
GENERATION 2

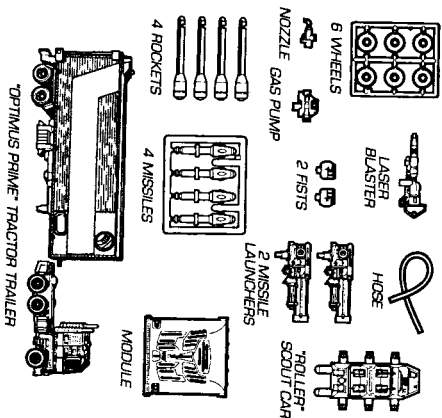


HEROIC AUTOBOT® OPTIMUS PRIME®

SET INCLUDES:

Includes "Optimus Prime" tractor trailer, "roller" scout car, laser blaster, 2 missile launchers, 6 wheels, 4 rockets, 4 missiles, 2 fists, gas pump, nozzle, hose, sounds and lights module, 2 button cell batteries, label sheet and instructions.

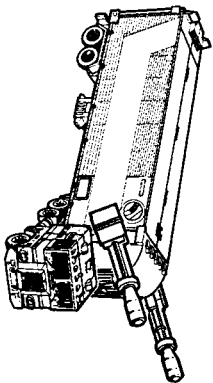
Carefully remove pieces from plastic frames.



START

Enter the world of Transformers, where the new generation of Heroic Autobots and Evil Decepticons battle head to head in a world where things are not as they seem!
To convert your tractor trailer into the robot mode, follow these steps by step instructions.

NOTE: Adult supervision may be necessary for younger children.

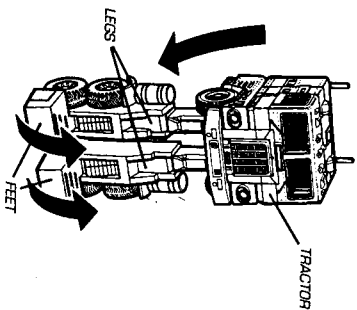


Caution: Do not point weapons at eyes or face.

STEP 1

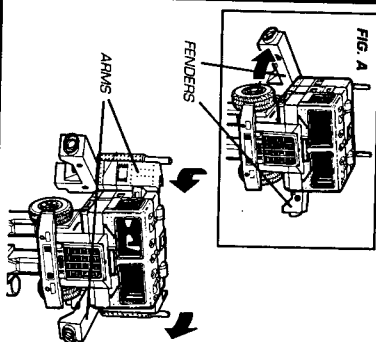
Separate tractor from trailer. Rotate rear wheels (legs) straight down. Bend feet up.

NOTE: Excessive force is not necessary.



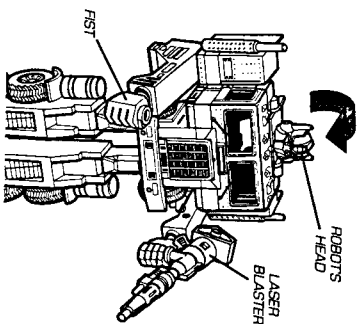
STEP 2

Turn fenders (arms) out to the sides (see FIG. A). Rotate arms forward. Arms swivel at shoulders and elbows.



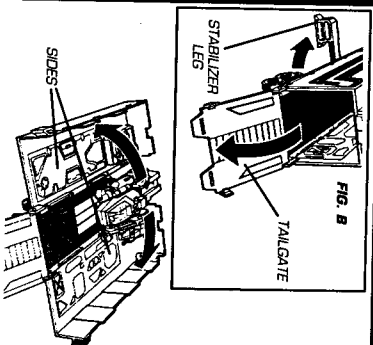
STEP 3

Rotate roof panel up to reveal robot's head. Press into place. Attach fists to ends of arms with fingers facing inward. Fit laser blaster into hole in fist.



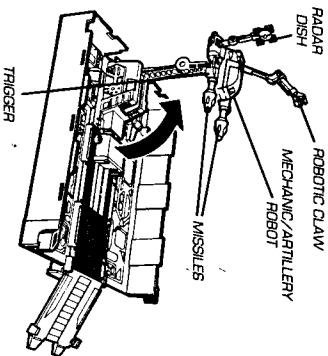
STEP 4

From underneath the trailer, swing stabilizer legs out. Drop the tailgate down (see FIG. B). Pull the sides of the trailer apart and drop down.

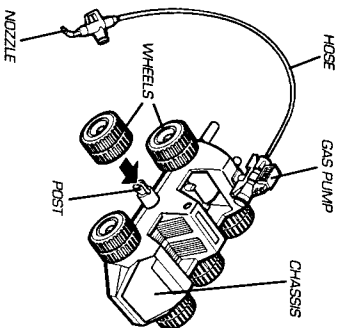


STEP 5

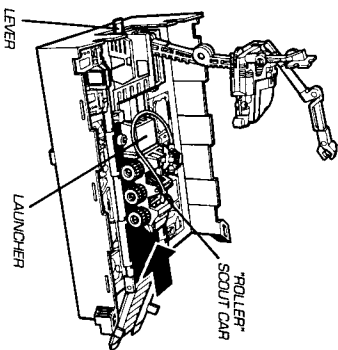
Pull mechanic/artillery robot up. Swing radar dish and robotic claw into position. Fit rockets into holes in front of robot assembly. You can swivel robot in all directions.

**STEP 6**

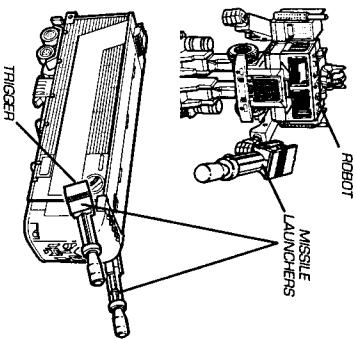
To make "roller" scout car, attach wheels (with large holes facing away from car) onto the posts on car chassis. Fit one end of hose into nozzle, fit other end of hose into gas pump. Fit post on gas pump into hole in car.

**STEP 7**

To launch "roller" on an Autobot mission, slide launcher back until it locks into place. Fit two rear posts on car into holes in launcher until car locks into place. Press lever behind robot's base.

**STEP 8**

To make robot hold missile launchers, insert pegs on missile launcher handles into holes in hands. When Optimus Prime is in the vehicle mode, insert pegs on missile launcher handles into side holes at front of sound and lights module. Press trigger to fire.

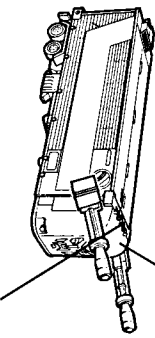


STEP 9

When Optimus Prime is in vehicle mode, insert hook on module into slot at front of trailer. Push the buttons on the module to activate the lights and hear these sounds:

- Laser Missile Fire
- Diesel Truck Sound
- "I am Optimus Prime!"

SOUNDS AND LIGHTS MODULE



TO REPLACE BATTERIES:

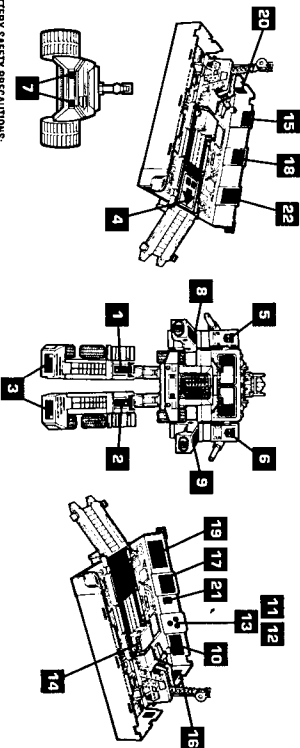


BUTTONS

With a Phillips® screwdriver, remove screw from battery compartment cover. Remove cover and discard plastic insert and button cell batteries. Insert 2 "AA" batteries (alkaline recommended) into compartment as indicated. Refit cover and re tighten screw.

FINISH

When converting robot back to tractor trailer, reverse the order of the instructions. Peel and apply labels as shown.



BATTERY SAFETY PRECAUTIONS:

1. As with all small batteries, the batteries included with this toy should be kept away from small children who still put objects in their mouths. If they are swallowed, promptly see a doctor and have the doctor call collect (202) 625-3333, available 24 hours a day.
2. When installing replacement batteries, make sure the batteries are inserted correctly and follow the product and battery manufacturer's instructions.
3. Never mix old batteries and new batteries.
4. Batteries may explode or leak if recharged, disassembled or heated.