



Talking Pay Phone

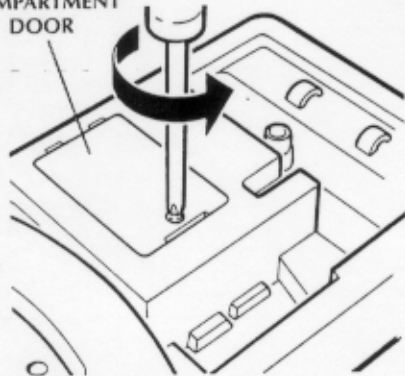
INSTRUCTIONS

Includes: Talking Pay Phone, receiver, 4 play coins and credit card.

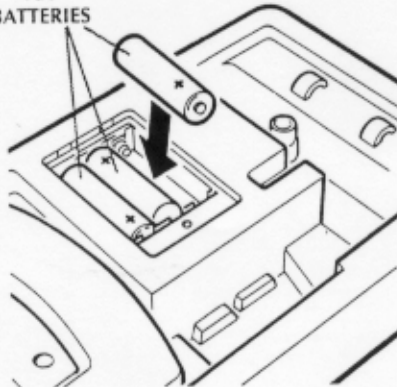
ADULT SUPERVISION REQUIRED. PHILLIPS® SCREWDRIVER REQUIRED FOR BATTERY PLACEMENT.

The Talking Pay Phone comes equipped with button cell batteries. When these are exhausted, replace them with 3 "AA" batteries (alkaline recommended).

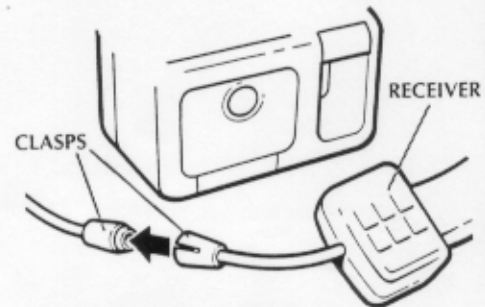
BATTERY
COMPARTMENT
DOOR



"AA"
BATTERIES



- CAUTION: TO AVOID BATTERY LEAKAGE**
1. As with all small batteries, the batteries included with this toy should be kept away from small children who still put things in their mouths. If they are swallowed, promptly see a doctor and have the doctor phone (202) 625-3333 collect.
 2. When installing replacement batteries make sure the batteries are inserted correctly and follow the toy and battery manufacturers' instructions.
 3. Never mix old batteries with new batteries.
 4. Batteries may explode or leak if recharged, disassembled or heated.



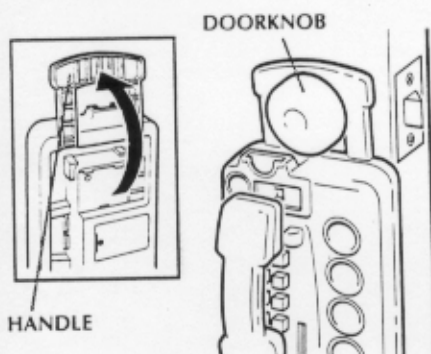
ATTACHING RECEIVER TO PAY PHONE:

To attach the receiver to its tether on pay phone, simply snap the clasps together as shown.

REPLACING THE BATTERIES:

To replace batteries, use Phillips® screwdriver to loosen screw that secures battery compartment door (in back of pay phone) and remove door.

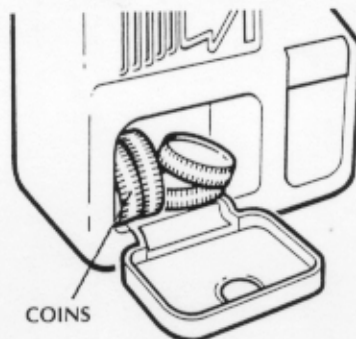
Insert 3 "AA" batteries following direction indicators inside compartment. Replace door and fasten screw.



HANDLE

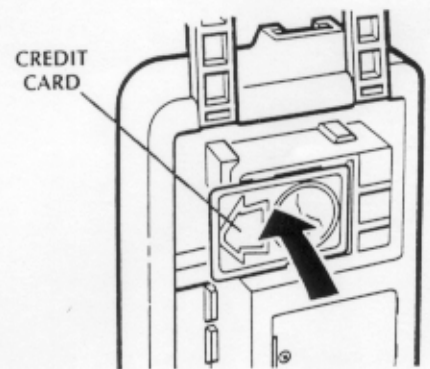
HANGING PAY PHONE:

Fold up handle in back of phone to hang from doorknob or wall.



COINS

When you're finished playing, the play coins may be stored in the bank.



CREDIT
CARD

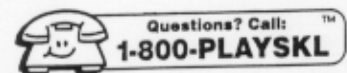
The credit card may be stored in its place in back of phone, above battery compartment.

If you have any questions about how to use the Talking Pay Phone, you may call our Consumer Affairs hotline at 1-800 PLAYSKL.

Warning: Changes or modifications to this unit not expressly approved by the party responsible for compliance could void the user's authority to operate the equipment.

NOTE: This equipment has been tested and found to comply with the limits for a Class B digital device, pursuant to Part 15 of the FCC Rules. These limits are designed to provide reasonable protection against harmful interference in a residential installation. This equipment generates, uses, and can radiate radio frequency energy and, if not installed and used in accordance with the instructions, may cause harmful interference to radio communications. However, there is no guarantee that interference will not occur in a particular installation. If this equipment does cause harmful interference to radio or television reception, which can be determined by turning the equipment off and on, the user is encouraged to try to correct the interference by one or more of the following measures:

- Reorient or relocate the receiving antenna.
- Increase the separation between the equipment and receiver.
- Consult the dealer or an experienced radio TV technician for help.



For future reference, our toll-free consumer service number is also located on this product.

© 1995 Hasbro, Inc., Pawtucket, RI 02862 USA. All Rights Reserved.

® denotes Reg. U.S. Pat. & TM Office.

MADE IN CHINA.
338 P/N 45396800