



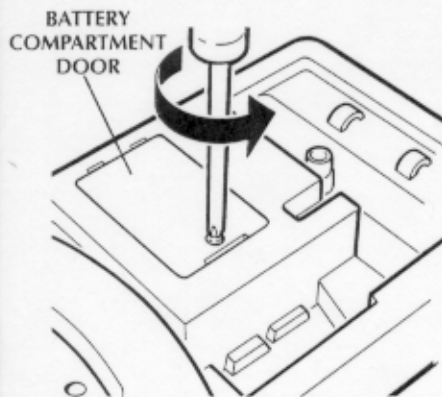
Talking Pay Phone

INSTRUCTIONS

Includes: Talking Pay Phone, receiver, 4 play coins and credit card.

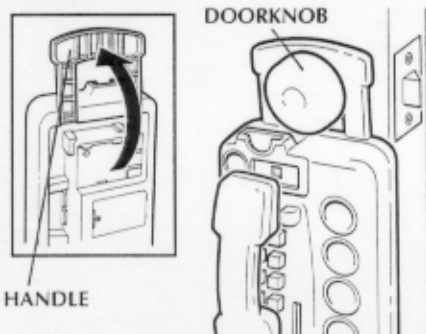
ADULT SUPERVISION REQUIRED. PHILLIPS SCREWDRIVER REQUIRED FOR BATTERY PLACEMENT.

The Talking Pay Phone comes equipped with button cell batteries. When these are exhausted, replace them with 3 "AA" batteries (alkaline recommended).



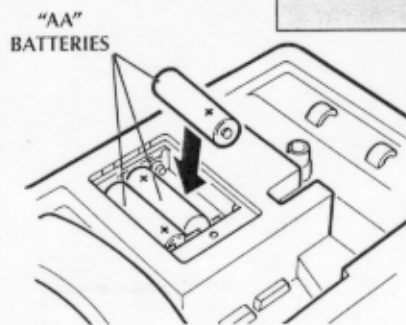
REPLACING THE BATTERIES:

The Talking Pay Phone comes equipped with 3 "AA" batteries. To replace batteries, use Phillips screwdriver to loosen screw that secures battery compartment door (in back of pay phone) and remove door.



HANGING PAY PHONE:

Fold up handle in back of phone to hang from doorknob or wall.



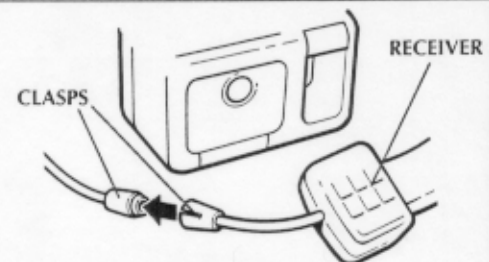
Insert 3 "AA" batteries following direction indicators inside compartment. Replace door and fasten screw.



When you're finished playing, the play coins may be stored in the bank.

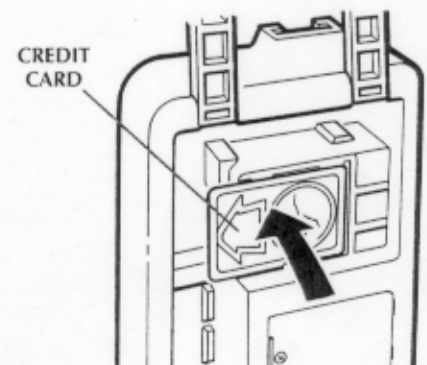
CAUTION: TO AVOID BATTERY LEAKAGE

1. Be sure to insert the batteries correctly and follow the toy and battery manufacturer's instructions.
2. Do not mix old and new batteries or alkaline, standard (carbon-zinc) or rechargeable (nickel-cadmium) batteries.
3. Always remove exhausted or dead batteries from the product.
4. Remove batteries if product is stored for a long period of time.



ATTACHING RECEIVER TO PAY PHONE:

To attach the receiver to its tether on pay phone, simply snap the clasps together as shown.



The credit card may be stored in its place in back of phone, above battery compartment.

If you have any questions about how to use the Talking Pay Phone, you may call our Consumer Affairs hotline at 1-800 PLAYSKL.

Warning: Changes or modifications to this unit not expressly approved by the party responsible for compliance could void the user's authority to operate the equipment.

FCC STATEMENT

This equipment has been tested and found to comply with the limits for a Class B digital device, pursuant to Part 15 of the FCC Rules. These limits are designed to provide reasonable protection against harmful interference in a residential installation. This equipment generates, uses, and can radiate radio frequency energy and, if not installed and used in accordance with the instructions, may cause harmful interference to radio communications. However, there is no guarantee that interference will not occur in a particular installation. If this equipment does cause harmful interference to radio or television reception, which can be determined by turning the equipment off and on, the user is encouraged to try to correct the interference by one or more of the following measures:

- Reorient or relocate the receiving antenna.
- Increase the separation between the equipment and receiver.
- Consult the dealer or an experienced radio TV technician for help.

© 1995, 1997 Hasbro, Inc., Pawtucket, RI 02862 USA. All Rights Reserved.

® denotes Reg. U.S. Pat. & TM Office.

MADE IN CHINA.

338 P/N 47878000



Questions? Call:
1-800-PLAYSKL