

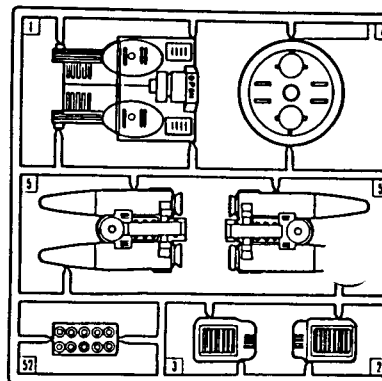
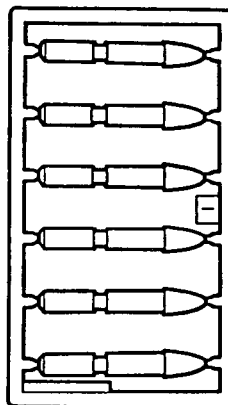
# TECHNO ZOID<sup>TM</sup>S

ELECTRONIC  
IRON KONG<sup>TM</sup>

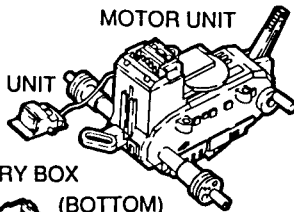
# IMPORTANT

Please read this **BEFORE** you begin.

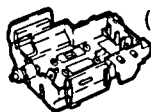
1. Read and follow all instructions in order. Do not skip around when assembling this toy.
2. Lay out all parts as shown in Parts Panel before you begin to assemble your toy. This will enable you to identify the parts and familiarize yourself with the numbering system.
3. Before you remove any part, make sure you have checked that the number on the part matches the number in the instruction drawing.
4. To avoid breaking, carefully trim parts from the frame using a nail clipper, wire cutter or similar household tool. Remove any excess plastic from the part before snapping the parts together. You **do not** need glue to hold the parts together. Assemble the part before removing another part from the frame. You may have to hold some parts together in the process.
5. After following the step-by-step assembly, your toy will be ready for play.



MOTOR UNIT



LIGHT UNIT



BATTERY BOX  
(BOTTOM)

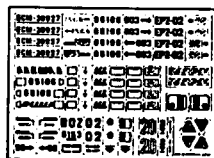
HOOD



PILOTS

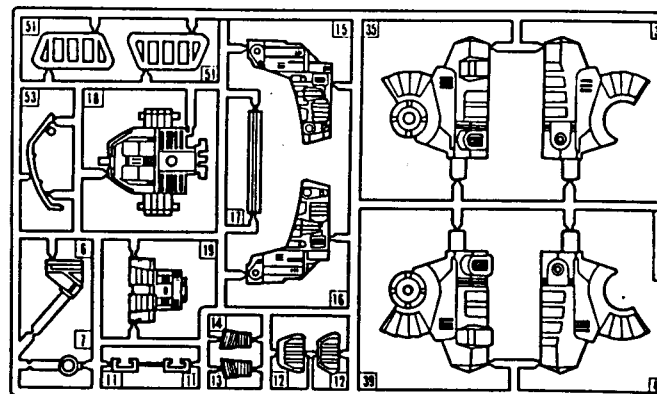
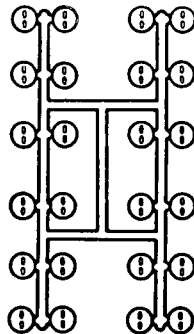


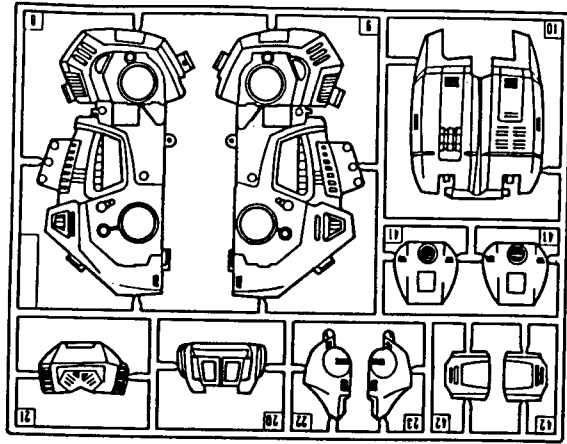
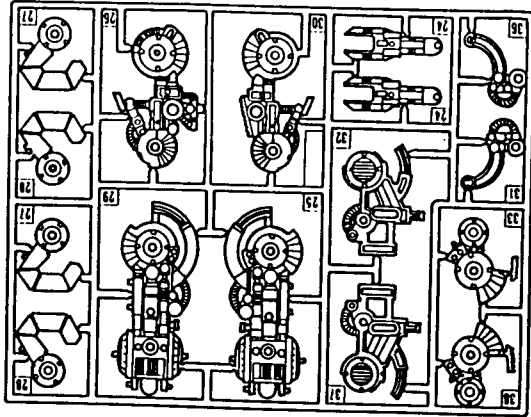
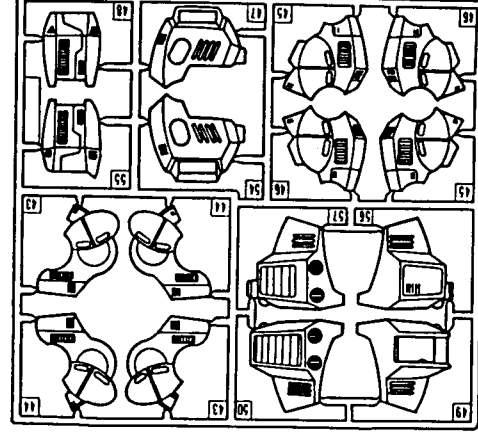
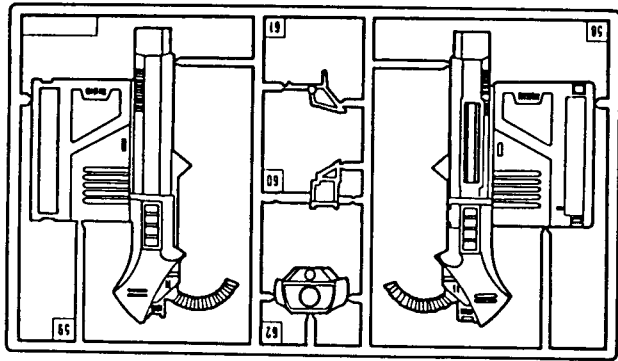
LABELS

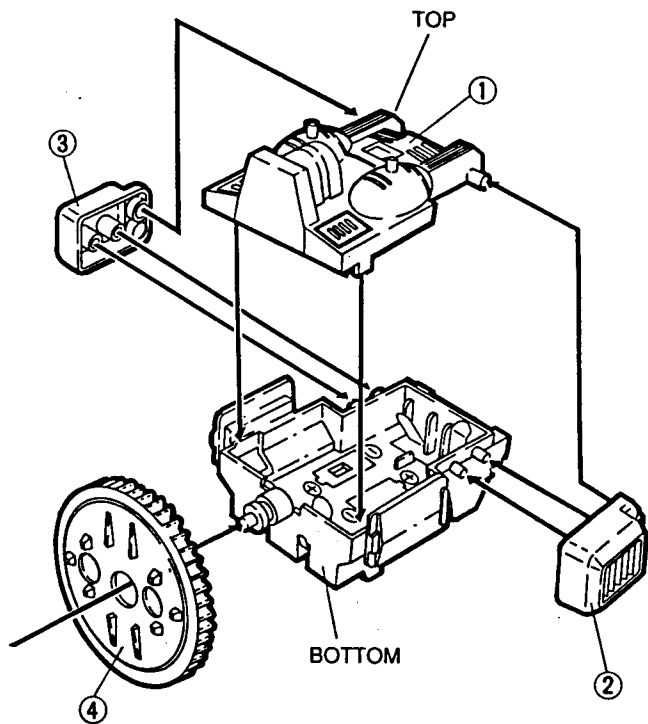
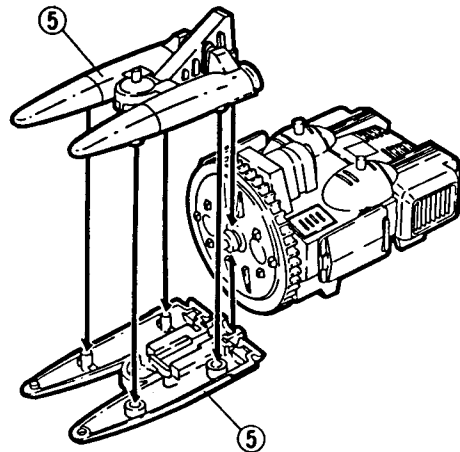


APPLY LABELS AS YOU LIKE

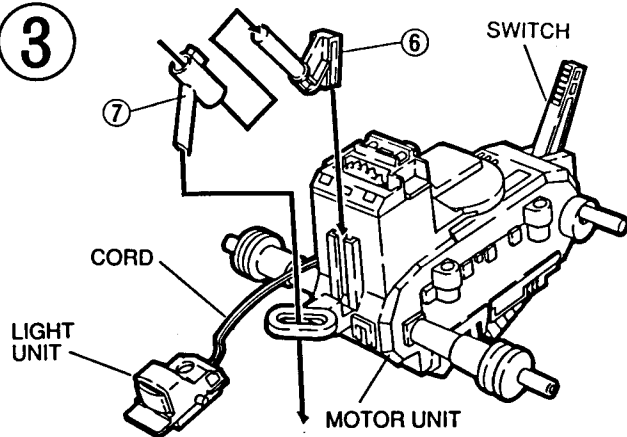
CAPS





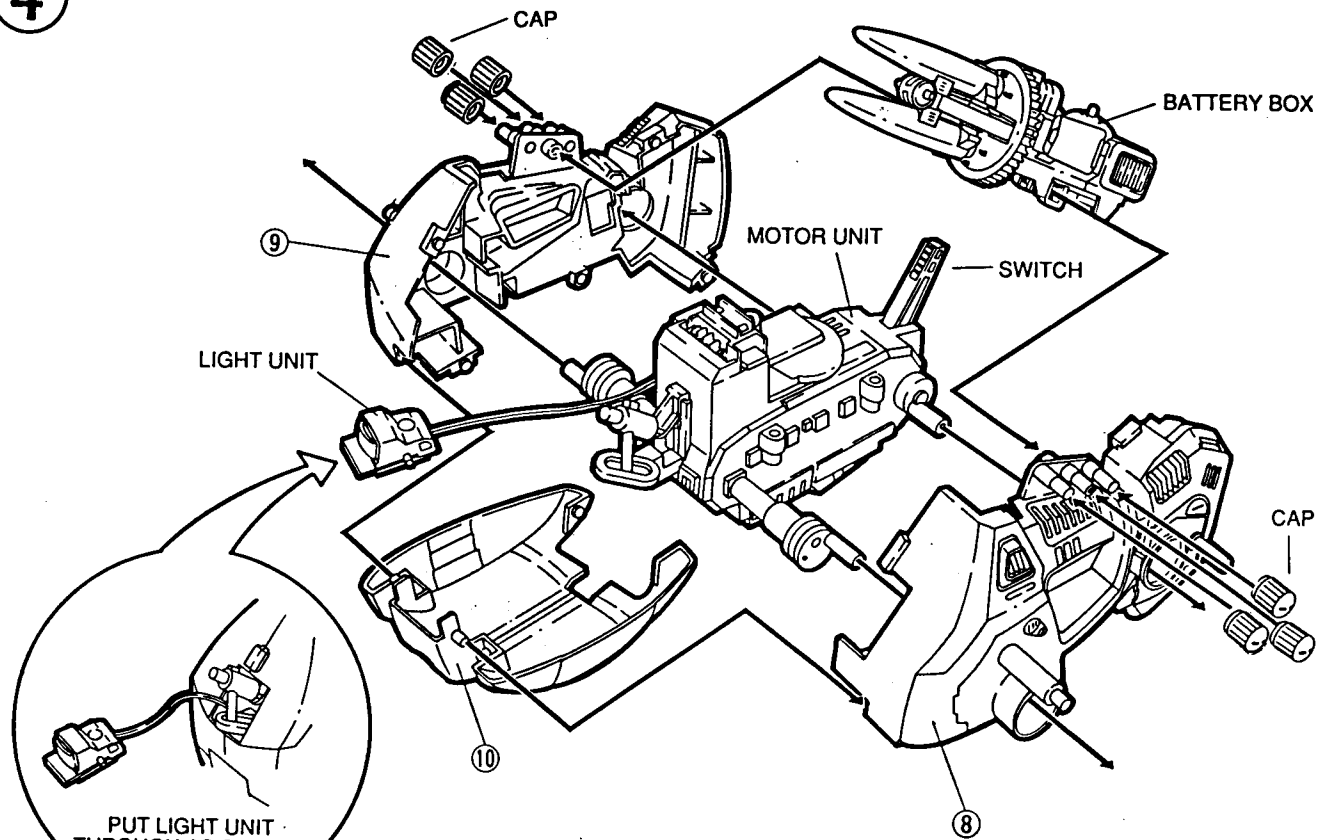
**1****ASSEMBLY OF BATTERY BOX****2**

• BE CAREFUL IN HANDLING THE LIGHT UNIT AND CORD.

**3**

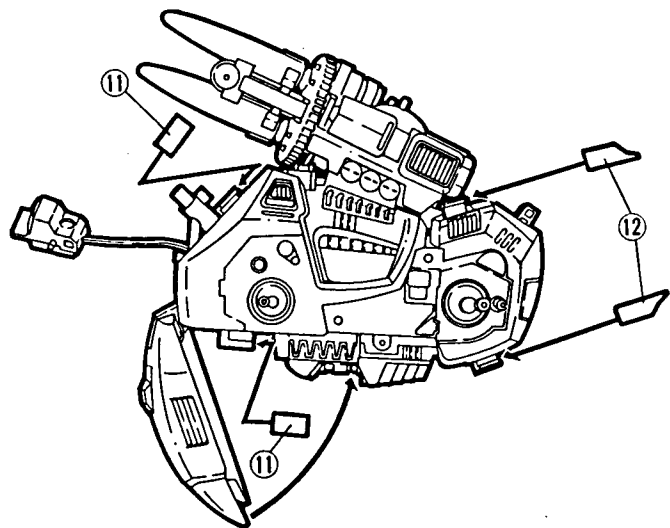
4

ASSEMBLY OF THE BODY



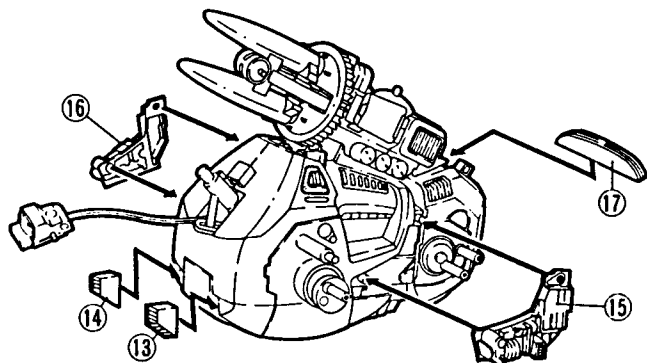
INSTALL THE CAPS TO ⑧, AND ⑨ FIRST.  
ASSEMBLE PARTS IN THE FOLLOWING ORDER: ⑨, ⑧, BATTERY BOX, ⑩.

5



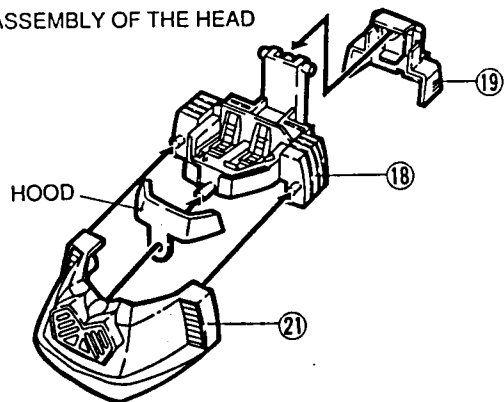
6

17 SLIDES INTO PLACE AND FITS OVER INTERNAL PEG



7

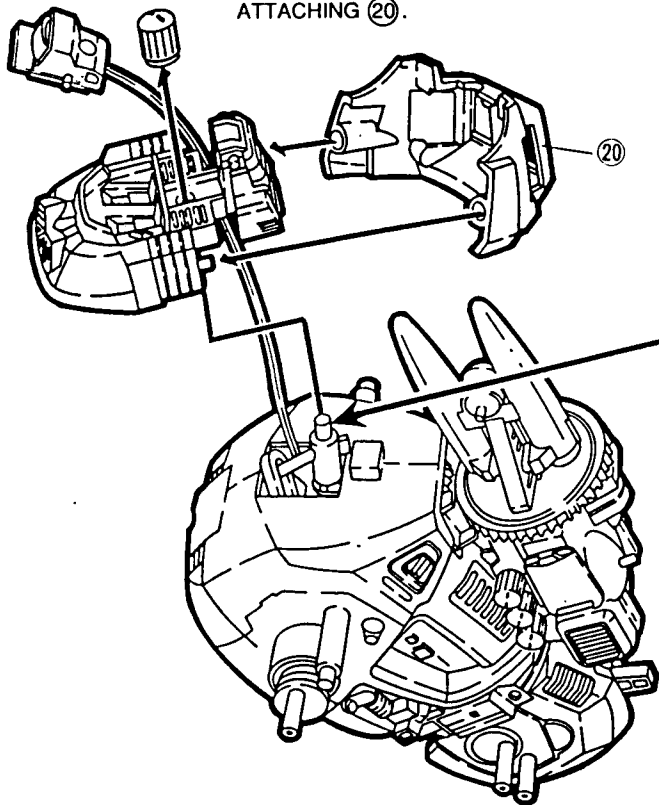
ASSEMBLY OF THE HEAD



8

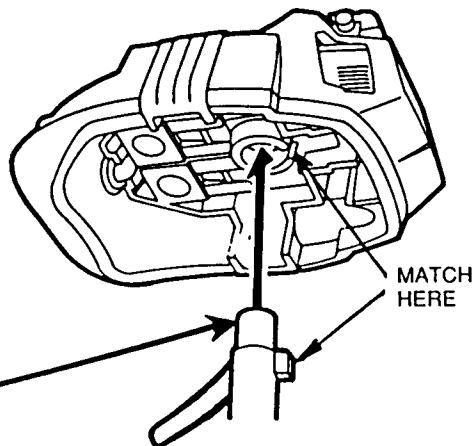
## ASSEMBLY OF THE HEAD

THE LIGHT UNIT CORD SHOULD BE PLACED INSIDE AS SHOWN BEFORE ATTACHING ⑳.

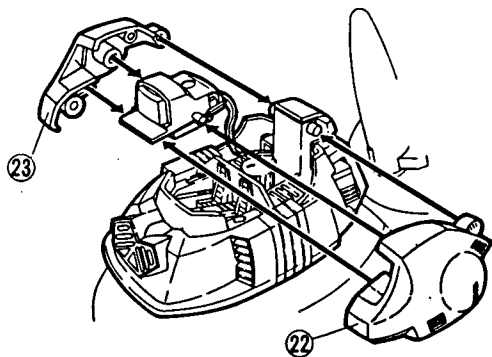


9

## ATTACH HEAD TO BODY

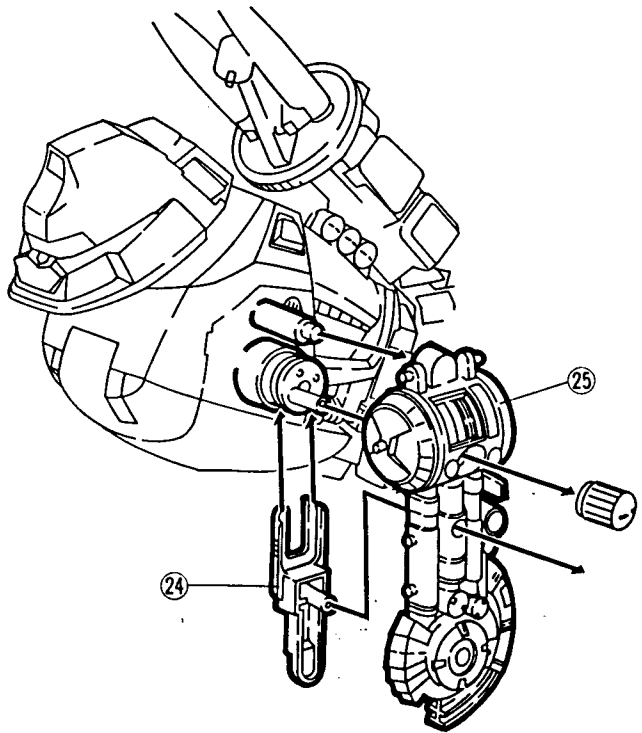


10



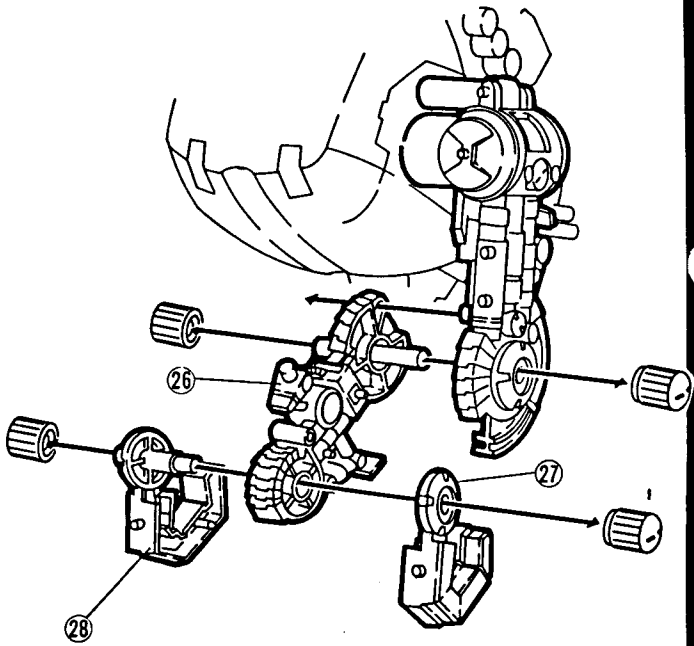
11

ASSEMBLY OF THE LEFT ARM



12

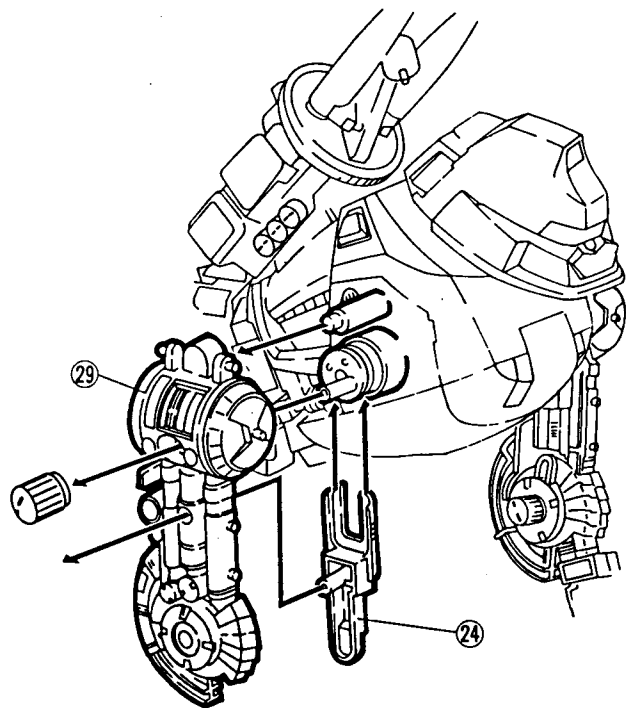
ASSEMBLY OF THE LEFT HAND





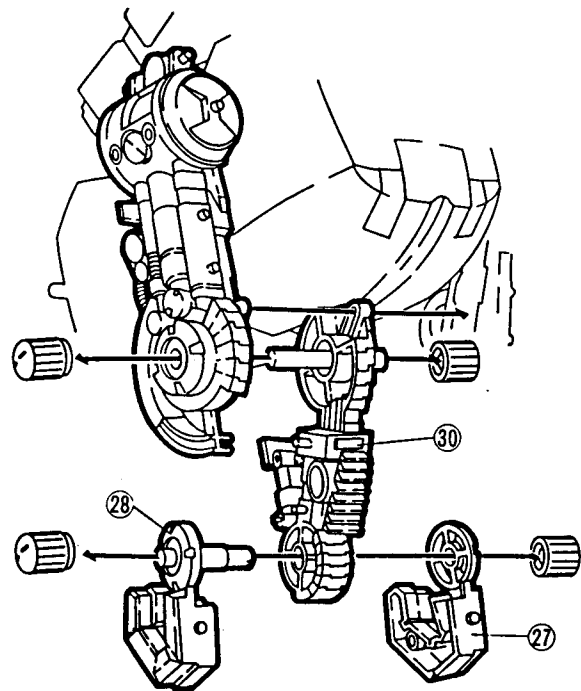
13

ASSEMBLY OF THE RIGHT ARM



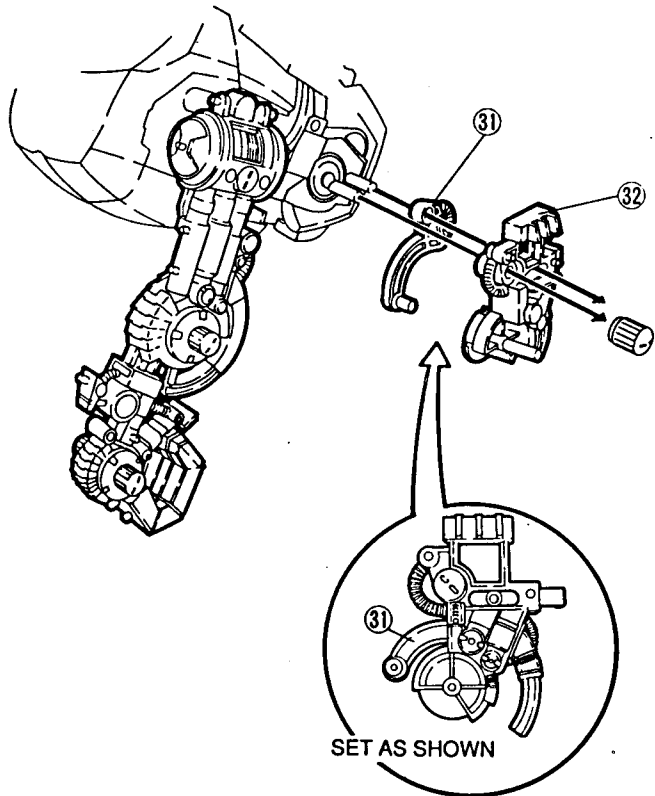
14

ASSEMBLY OF THE RIGHT HAND

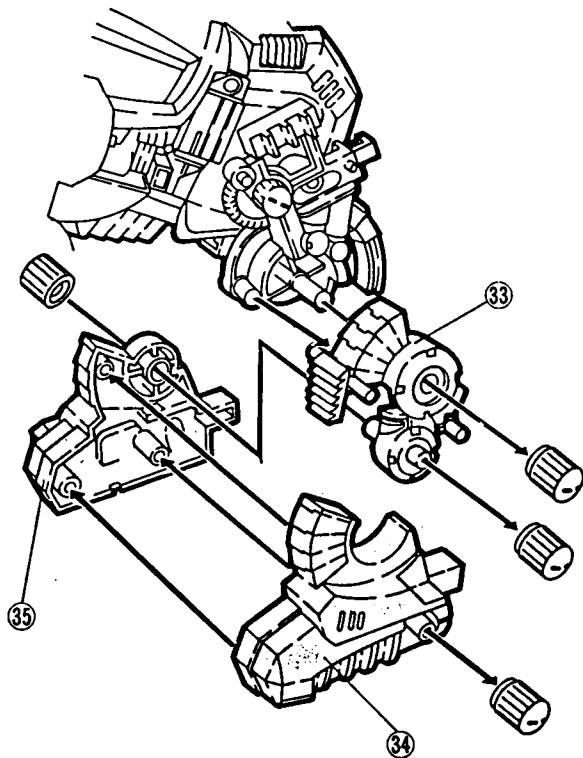


15

ASSEMBLY OF THE LEFT LEG

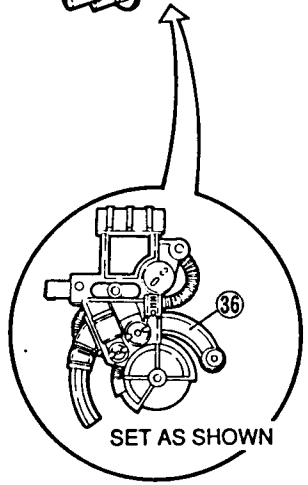
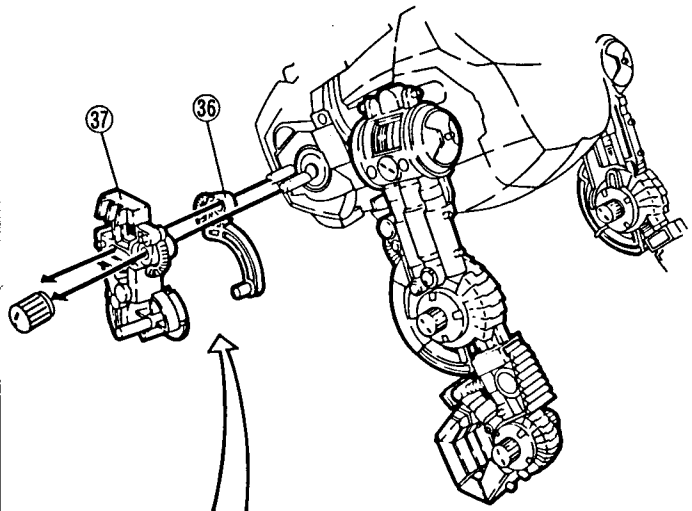


16

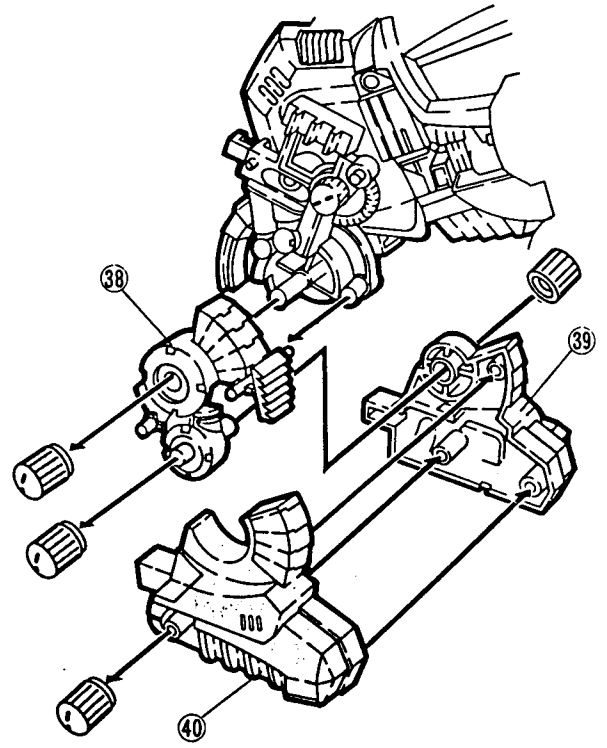


17

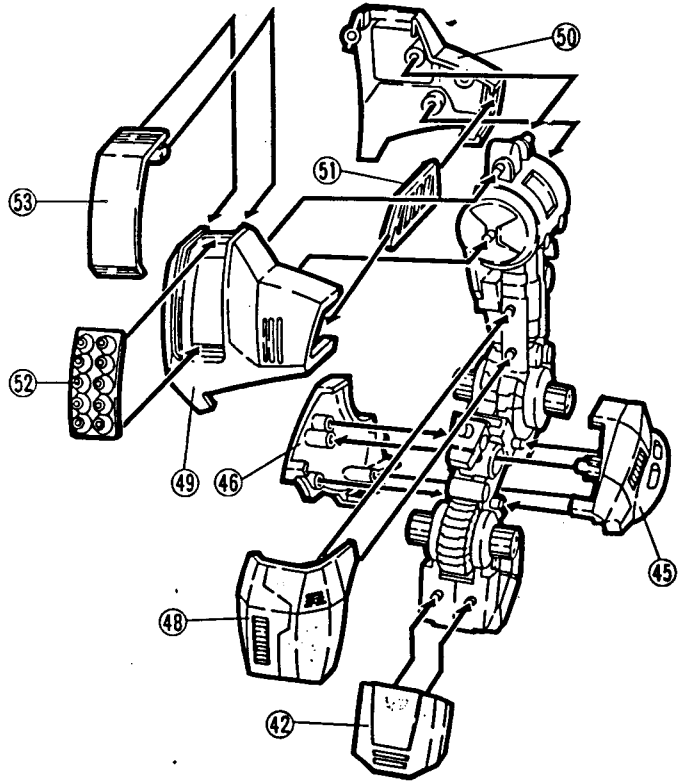
ASSEMBLY OF THE RIGHT LEG



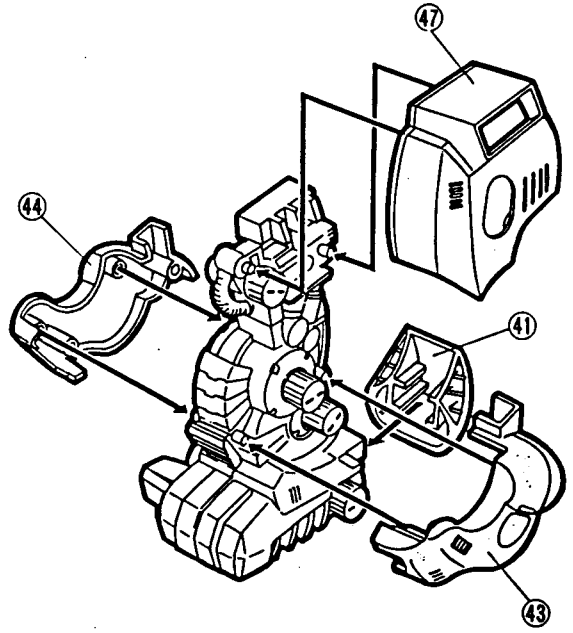
18



LEFT ARM

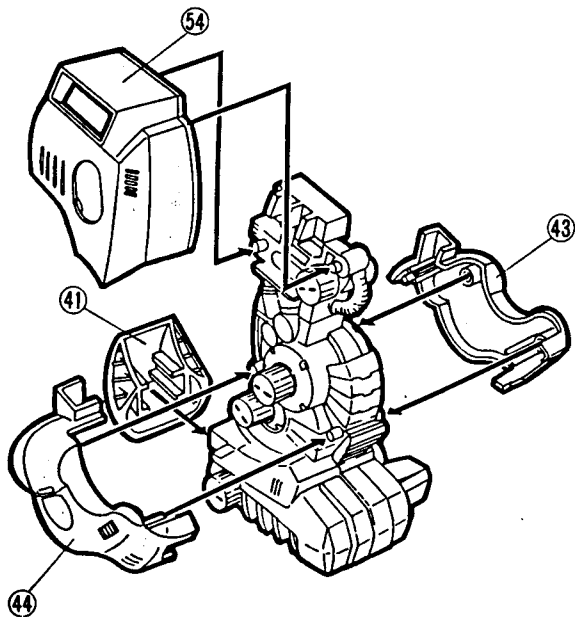


LEFT LEG

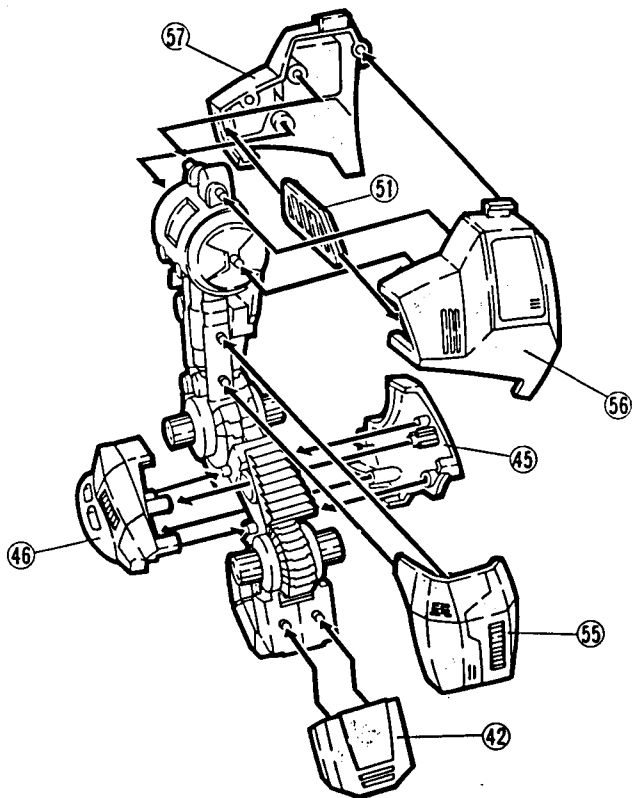


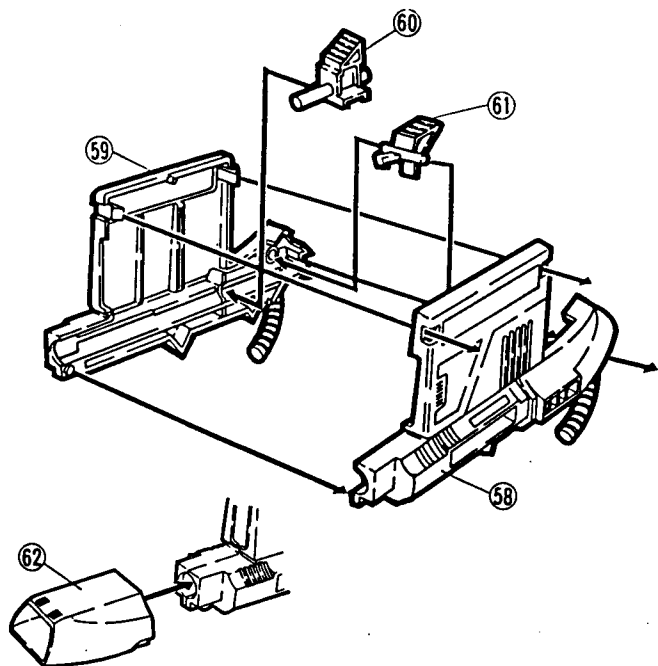
INSTALL 49 & 52, 53 FIRST.

RIGHT LEG

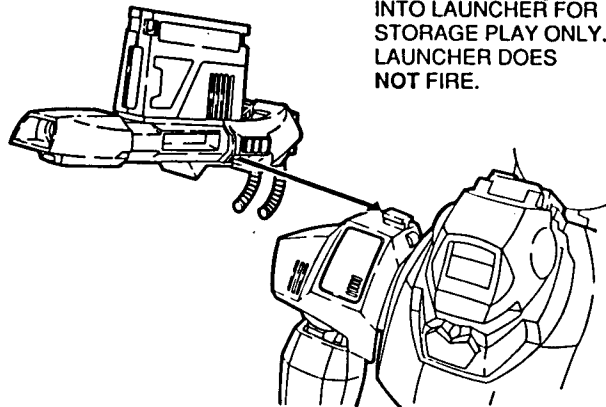


RIGHT ARM



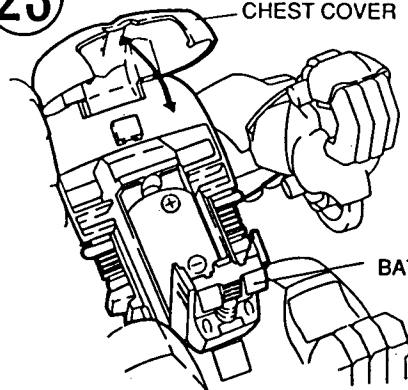
**21****ASSEMBLY OF  
LAUNCHER****22****ASSEMBLY OF  
LAUNCHER**

**LOAD MISSILES ①  
INTO LAUNCHER FOR  
STORAGE PLAY ONLY.  
LAUNCHER DOES  
NOT FIRE.**

**23**

CHEST COVER

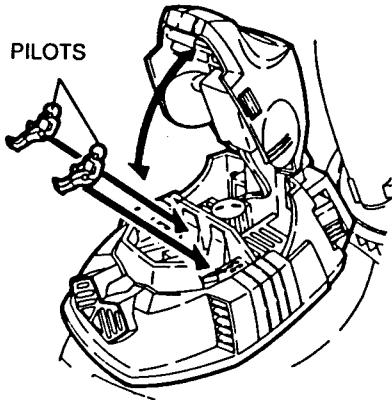
**BATTERY INSERTION  
(FOR MOTOR UNIT):  
OPEN THE CHEST  
COVER AS SHOWN.  
SLIDE THE BATTERY  
COVER DOWN AND  
LIFT IT OPEN.  
INSERT ONE "C"  
ALKALINE BATTERY  
AS SHOWN.**



BATTERY COVER

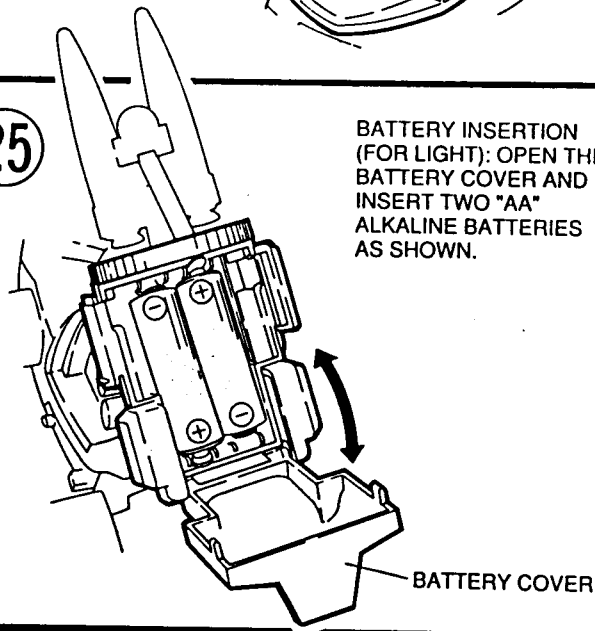
24

PILOTS



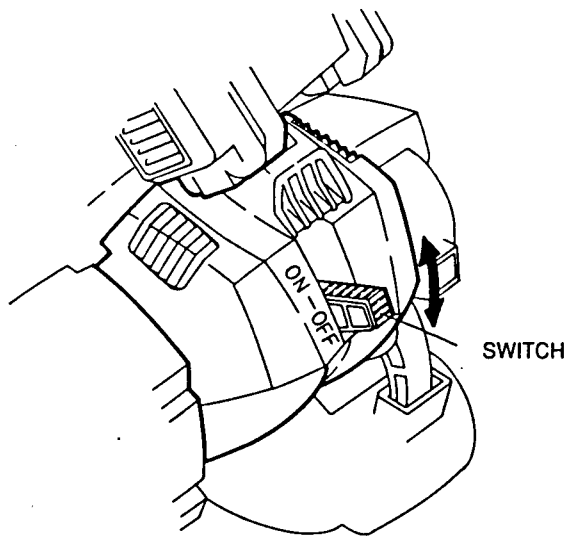
25

BATTERY INSERTION  
(FOR LIGHT): OPEN THE  
BATTERY COVER AND  
INSERT TWO "AA"  
ALKALINE BATTERIES  
AS SHOWN.

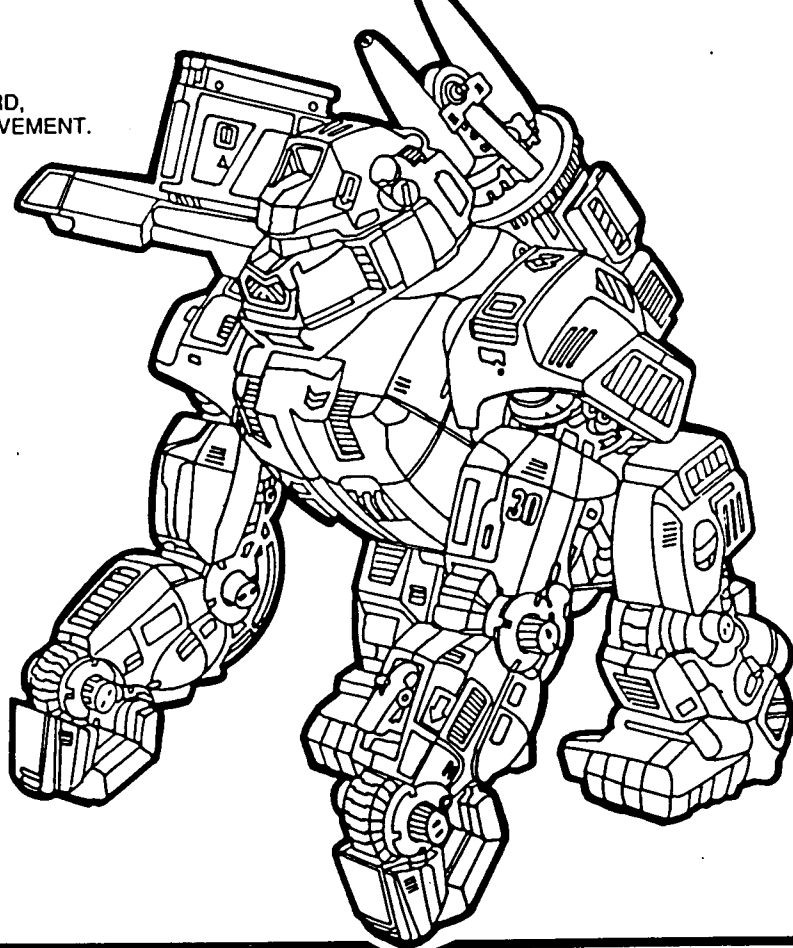


26

TURN MOTOR SWITCH ON.  
IRON KONG UNIT WILL WALK  
AND LIGHT WILL FLASH AS  
ROTATING MISSILE TURRET  
TURNS. TURN MOTOR  
SWITCH OFF ONLY WHEN  
LIGHT HAS FLASHED OFF.  
OTHERWISE LIGHT WILL  
REMAIN ON AND LIGHT  
BATTERIES WILL RUN  
DOWN.



TO OPERATE:  
TURN ON THE SWITCH.  
PLACE TOY ON A SMOOTH, HARD,  
LEVEL SURFACE FOR BEST MOVEMENT.



51474200

**Kenner**

© 1994 Kenner, a Division  
of Tonka Corporation,  
Cincinnati, Ohio 45202

PRINTED IN THAILAND