

**5** ASSEMBLY OF THE HEAD

HOOD

PILOT

D 17

D 18

**6** ASSEMBLY OF THE LEFT LEG

A 21

B 19

A 20

B 19

**7** LEFT

A 22

A 23

B 24

**IMPORTANT:**  
REMOVE EXCESS PLASTIC FROM A 23 BECAUSE IT IS A MOVING PART.

**8** ASSEMBLY OF THE RIGHT LEG

A 25

A 26

B 19

**9** RIGHT

A 23

B 24

A 27

**IMPORTANT:**  
REMOVE EXCESS PLASTIC FROM A 23 BECAUSE IT IS A MOVING PART.

**10** ASSEMBLY OF THE ARMS

D 28

D 29

RIGHT

LEFT

WIND-UP KNOB

**TO OPERATE: WIND UP THE MOTOR. PLACE TOY ON A SMOOTH, HARD, LEVEL SURFACE FOR BEST MOVEMENT.**

**Kenner®**  
© 1994 Kenner, a Division of Tonka Corporation, Cincinnati, Ohio 45202

51474300

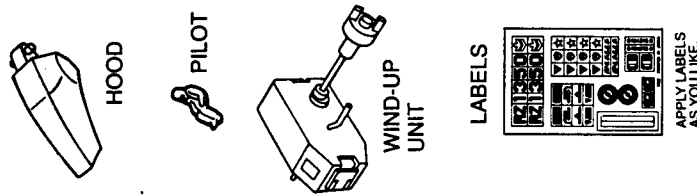
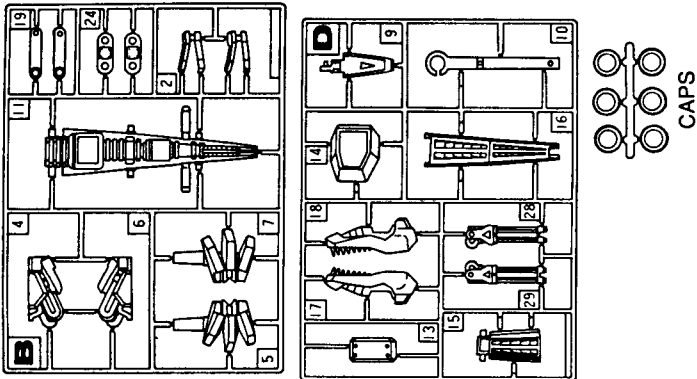
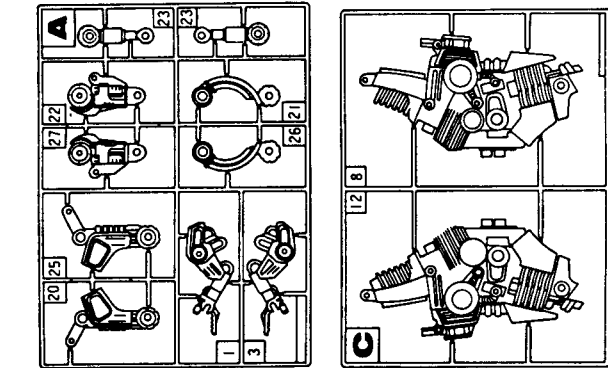
**TECHNO ZOIDS™**

**STRIKE 'ZILLA™**

## IMPORTANT

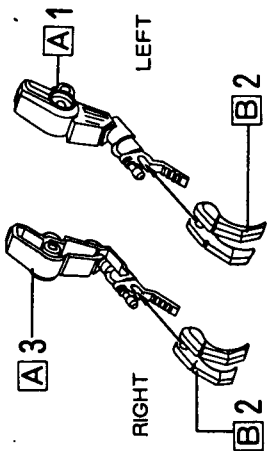
1. Please read this **BEFORE** you begin. Read and follow all instructions in order. Do not skip around when assembling this toy.
2. Lay out all parts as shown in Parts Panel before you begin to assemble your toy. This will enable you to identify the parts and familiarize yourself with the numbering system.
3. Before you remove any part, make sure you have checked that the number on the part matches the number in the instruction drawing.
4. To avoid breaking, carefully trim parts from the frame using a nail clipper, wire cutter or similar household tool. Remove any excess plastic from the part before snapping the parts together. You **do not** need glue to hold the parts together. Assemble the part before removing another part from the frame. You may have to hold some parts together in the process.
5. After following the step-by-step assembly, your toy will be ready for play.

## PARTS PANEL

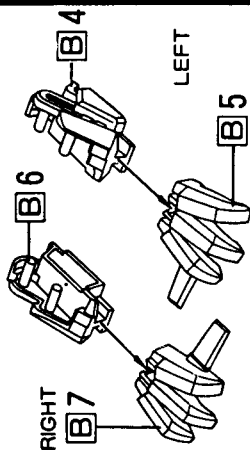


1

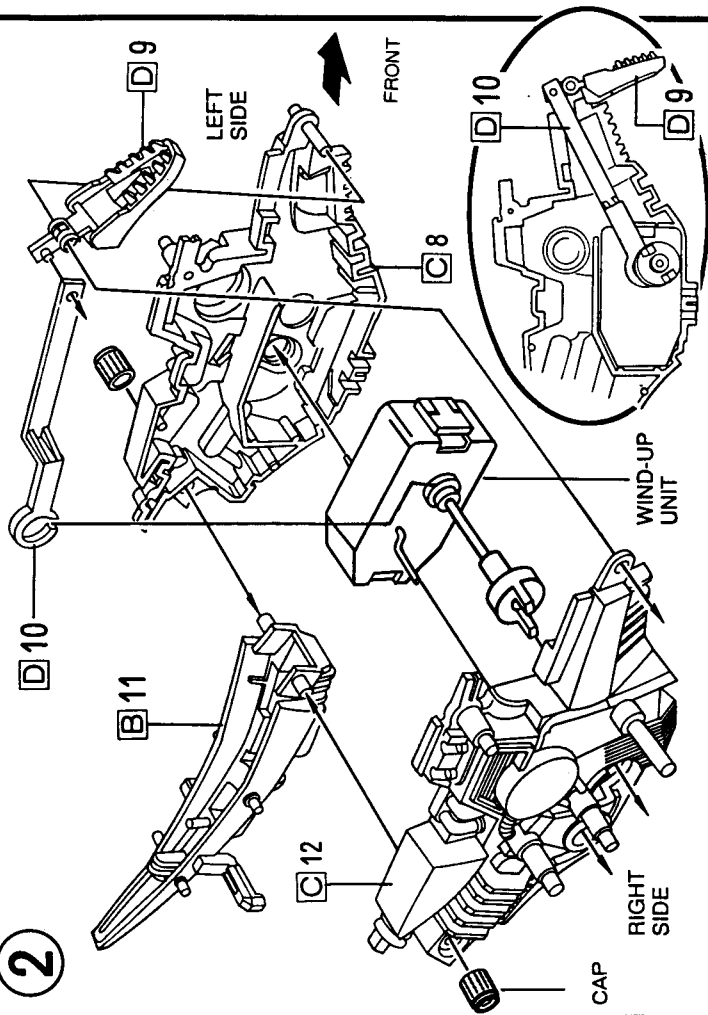
## ASSEMBLY OF THE ARMS



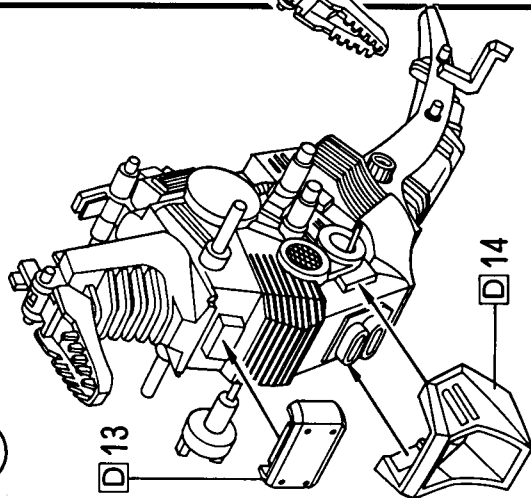
## ASSEMBLY OF THE LEGS



2



3



4

