

PLAYSKOOL

Teletubbies™

Musical Dream Scenes™*

CAUTION: When toy is used in crib, the crib sides should be raised and the crib mattress should be in one of the lower positions.

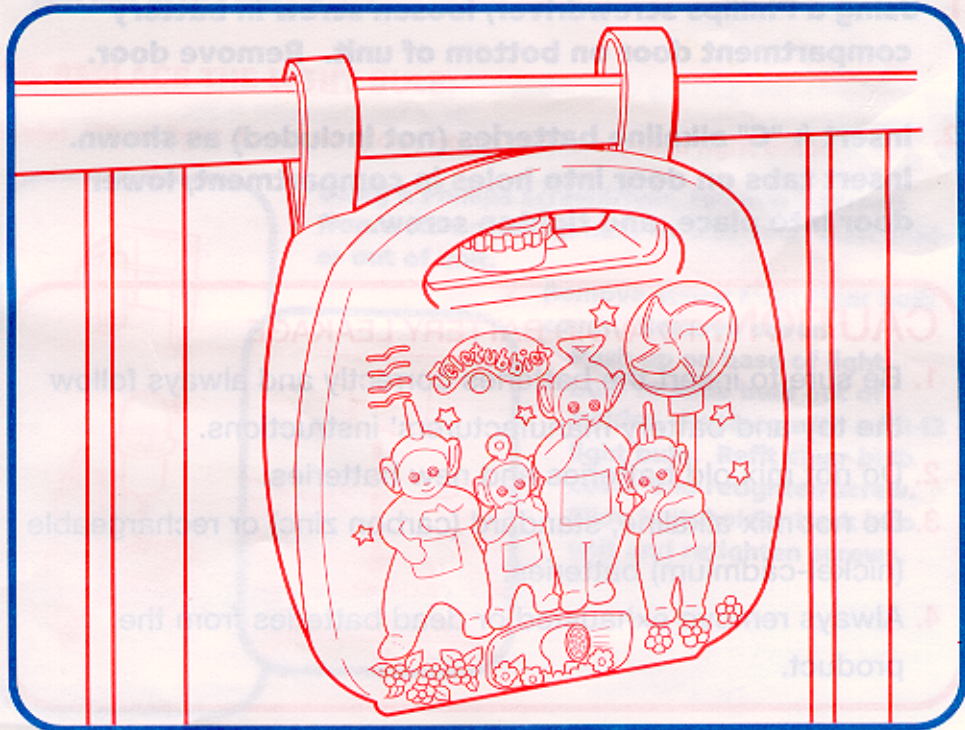
CAUTION: To avoid head entrapment:
Always use lower strap.

Thank you for purchasing this Playskool® toy!

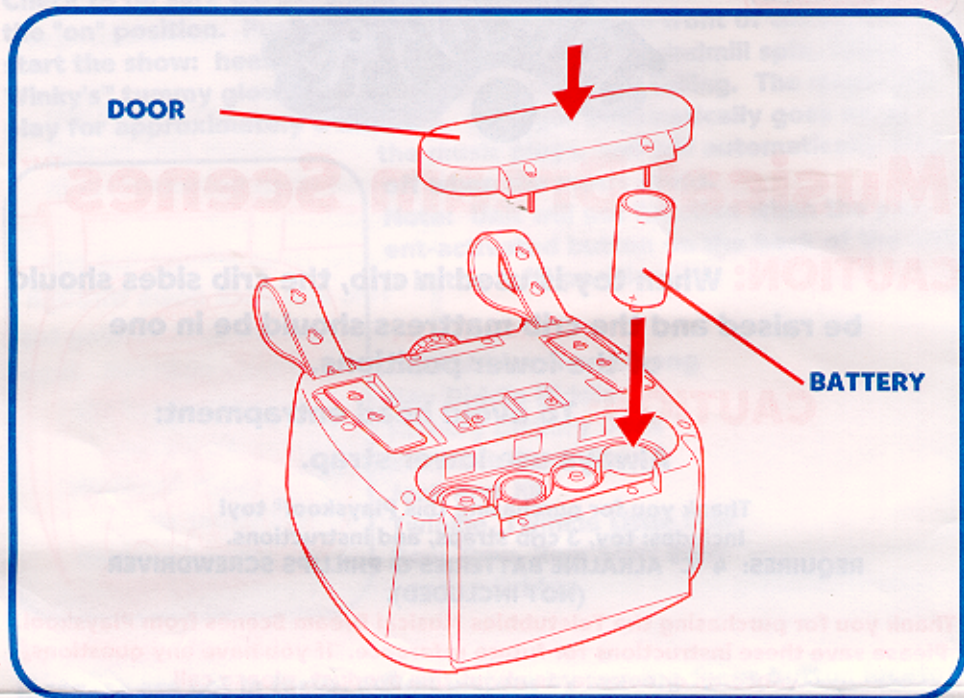
Includes: toy, 3 crib straps, and instructions.

**REQUIRES: 4 "C" ALKALINE BATTERIES & PHILLIPS SCREWDRIVER
(NOT INCLUDED).**

Thank you for purchasing the Teletubbies Musical Dream Scenes from Playskool.
Please save these instructions for future reference. If you have any questions,
concerns or comments about this product, please call
Playskool toll-free at 1-800-PLAYSKL.



TO INSERT BATTERIES:

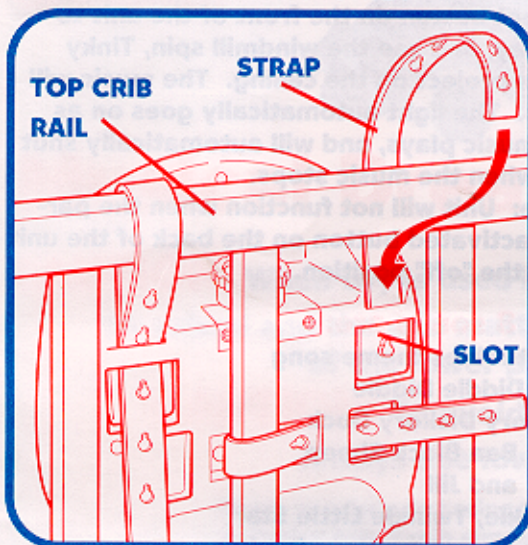


- 1. Using a Phillips screwdriver, loosen screw in battery compartment door on bottom of unit. Remove door.**
- 2. Insert 4 "C" alkaline batteries (not included) as shown. Insert tabs on door into holes in compartment, lower door into place, and tighten screw.**

CAUTION: TO AVOID BATTERY LEAKAGE

1. Be sure to insert the batteries correctly and always follow the toy and battery manufacturers' instructions.
2. Do not mix old batteries and new batteries.
3. Do not mix alkaline, standard (carbon zinc) or rechargeable (nickel-cadmium) batteries.
4. Always remove exhausted or dead batteries from the product.

TO ATTACH TOY TO CRIB:



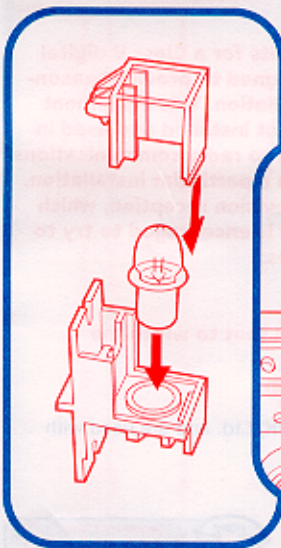
1. Position unit inside crib near top rail.
2. Slide strap (arrow end up) through upper slot on unit until strap bottom rests in recess on unit.
3. Loop strap around top crib rail, and back down through slot until strap is holding top of unit firmly onto rail. Press strap tab into one of the strap holes as shown. Repeat process for other strap and upper slot.
4. Slide the remaining strap

(arrow pointing right) through lower slot on unit until strap bottom rests in recess on unit.

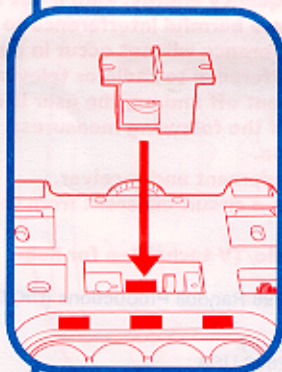
5. Loop strap around one of the crib bars and back down through slot until strap is holding bottom of unit firmly onto bar. Press strap tab into one of the strap holes.

TO REPLACE THE LIGHT BULB:

Note: When light does not glow, you need to replace light bulb.



1. Using a Phillips screwdriver, remove 2 screws from bulb holder on back of unit. Pull bulb holder out of unit.



2. Remove screw from clear bulb cover. Remove cover.
3. Push up on base of light bulb to slide bulb out of holder. Replace with a PR-12 light bulb. Refit clear bulb cover and retighten screw. Slide bulb holder back into unit and retighten screws.

To Play the Music

Check to be sure the parent-activated switch on the back of the unit is in the "on" position. Push the trumpet button on the front of the unit to start the show: hear the music play, and see the windmill spin, Tinky Winky's™ tummy glow, and images project on the ceiling. The music will play for approximately 6 minutes. The light automatically goes on as

the music plays, and will automatically shut off when the music stops.

Note: Unit will not function when the parent-activated button on the back of the unit is in the "off" position.



The 8 songs are:

Teletubbies theme song

Hey Diddle Diddle

Hickory Dickory Dock

Baa, Baa Black Sheep

Jack and Jill

Twinkle, Twinkle Little Star

Row, Row, Row Your Boat

London Bridge

To Adjust the Picture

If scenes are not in focus, adjust picture by moving focus button located on top of unit.

Troubleshooting Tips

If the lights are getting dim..... Replace the batteries.

If there are no lights..... Replace the light bulb.

If the characters are out of focus..... Adjust the focus button.

FCC STATEMENT

This equipment has been tested and found to comply with the limits for a Class B digital device, pursuant to Part 15 of the FCC Rules. These limits are designed to provide reasonable protection against harmful interference in a residential installation. This equipment generates, uses and can radiate radio frequency energy, and, if not installed and used in accordance with the instructions, may cause harmful interference to radio communications. However, there is no guarantee that interference will not occur in a particular installation. If this equipment does cause harmful interference to radio or television reception, which can be determined by turning the equipment off and on, the user is encouraged to try to correct the interference by one or more of the following measures:

- Reorient or relocate the receiving antenna.
- Increase the separation between the equipment and receiver.
- Connect the equipment into an outlet on a circuit different from that to which the receiver is connected.
- Consult the dealer or an experienced radio/TV technician for help.

TELETUBBIES characters and logo: TM & © 1998 Ragdoll Productions (UK) Ltd. and are used with permission. All rights reserved.

Licensed by The itsy bitsy Entertainment Company.

®, *™ & © 1998 Hasbro, Inc., Pawtucket, RI 02862 USA.

® denotes Reg. U.S. Pat. & TM Office.

MADE IN CHINA.

30908 P/N 4852340000



Questions? Call
1-800-PLAYSKL