

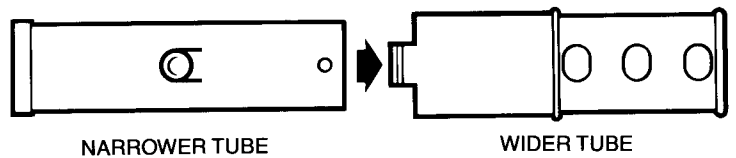


# Toddler Basketball

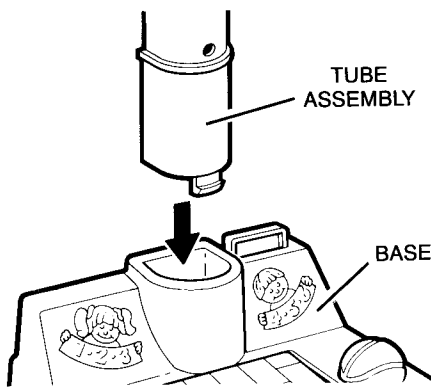
## A toddler's very first basketball playset!

Includes: Base, Backboard, Hoop, Tube Assembly, and Ball.

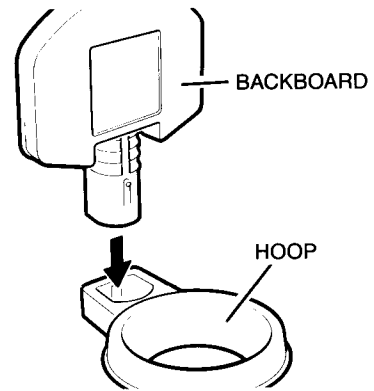
NOTE: If the pair of tubes that make up the TUBE ASSEMBLY should become separated, slide the narrower tube into the wider tube as shown (end of narrower tube with small hole goes into end of wider tube with clips).



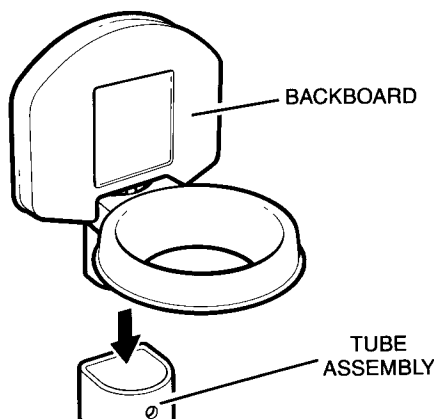
### TO ASSEMBLE



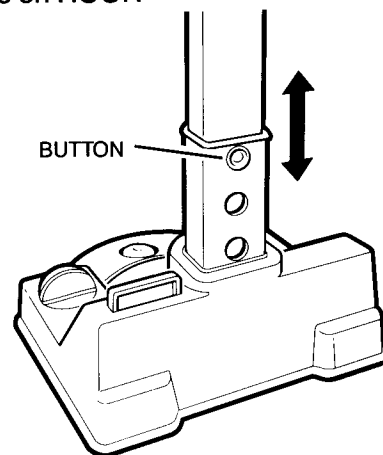
1. Insert TUBE ASSEMBLY into hole in BASE and push in until clips on TUBE ASSEMBLY snap into slots on bottom of BASE.



2. Insert BACKBOARD post fully into post hole on HOOP.



3. Insert BACKBOARD post into TUBE ASSEMBLY and push in until tabs on post snap into holes in tube.



**TO ADJUST THE HEIGHT OF THE HOOP**  
Press the button on tube assembly and move the backboard/hoop assembly up or down, allowing the button to catch in one of the three holes.