

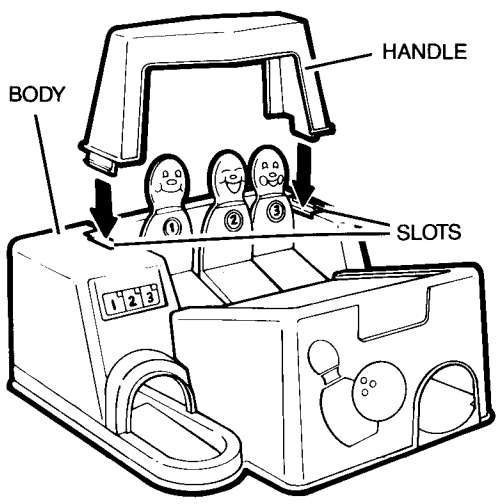
Ages: 9-36 mos.



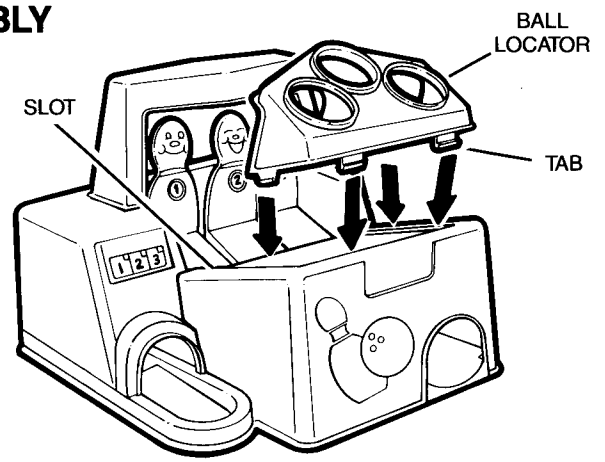
Toddler Bowling

A toddler's very first bowling playset!

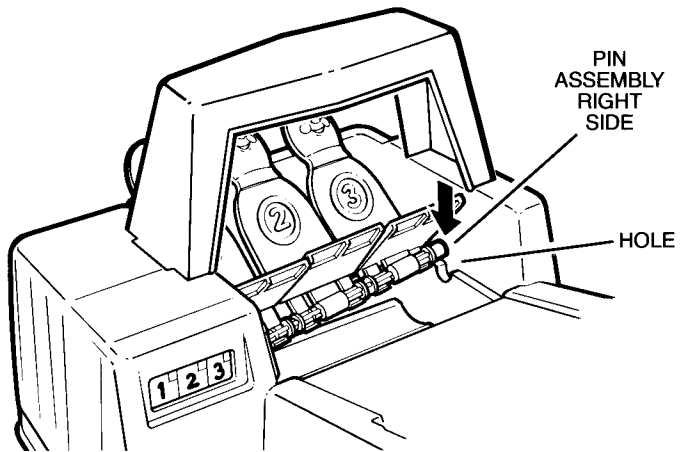
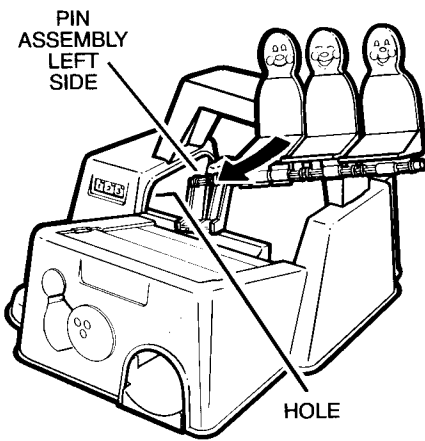
ASSEMBLY



1. Snap handle into slots in body as shown.



2. Snap tabs on ball locator into slots in front of body as shown.



NOTE: If pin assembly pops out, fit the end of the left side of axle into hole in left side of body as shown. Swing down right side of axle and snap into hole in right body side.

NOTE: If center pin, labeled #2, pops off of axle, just snap it back into place.

©1991 Playskool, Inc., Pawtucket, RI 02862 USA, a subsidiary of Hasbro, Inc. All Rights Reserved.
Distributed in the U.K. by Hasbro (U.K.), a division of Hasbro Bradley U.K. Ltd., Caswell Way, Newport, Gwent, NP9 0YH.
® denotes Reg. U.S. Pat. & TM Office
MADE IN U.S.A.
5639 P/N 42491200

