

# TODDLIN' TRAIN<sup>®</sup>

## INSTRUCTIONS

AGES 1 — 3  
MAX. WT. 40 LBS.

**Adult Assembly Required**  
**Tools Required (not included):**  
Hammer, small block of wood  
(approx. 2" x 2" x 3/4")

**It's easy to assemble:**

- A. Place the FRONT AXLE onto block of wood as shown. Position PALNUT over end and the PALNUT TOOL over the palnut. Secure PALNUT to AXLE by striking the tool with a hammer.

Slide the axle through the indented side of one wheel. Push axle through holes in body, as shown. Place PALNUT TOOL on block of wood. Lay vehicle on its side so PALNUT already installed on AXLE fits into PALNUT TOOL on block of wood.

B. Place second front wheel (with indent facing outward) onto axle. Use hammer and second PALNUT TOOL to gently tap PALNUT onto axle.
- A. Position rear axle onto block of wood. Place wheel onto axle and position PALNUT over top of axle. Fasten in place using PALNUT TOOL and hammer.

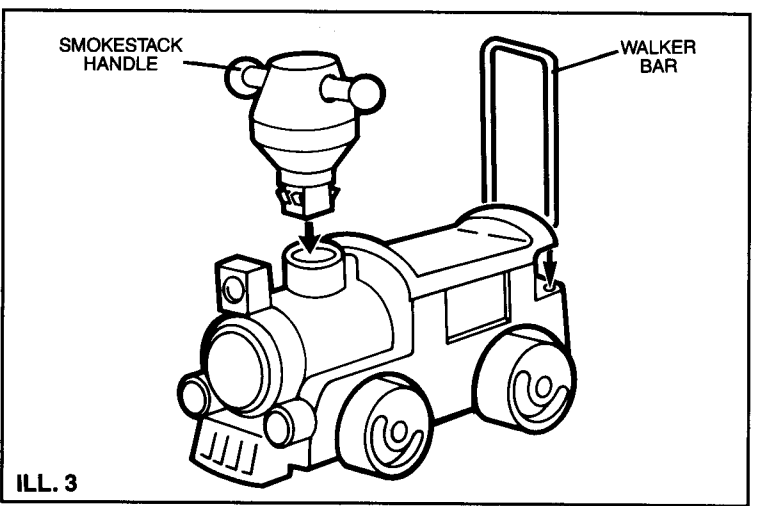
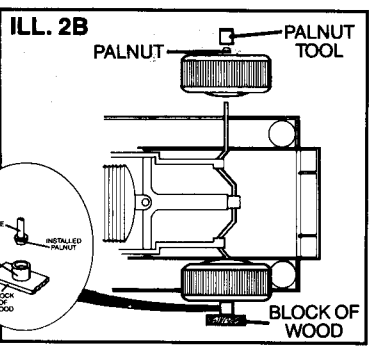
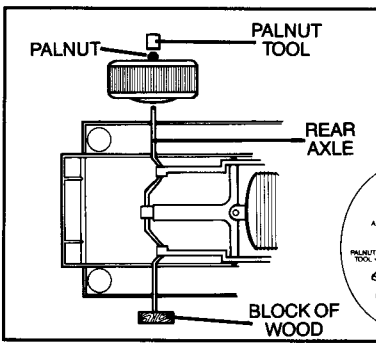
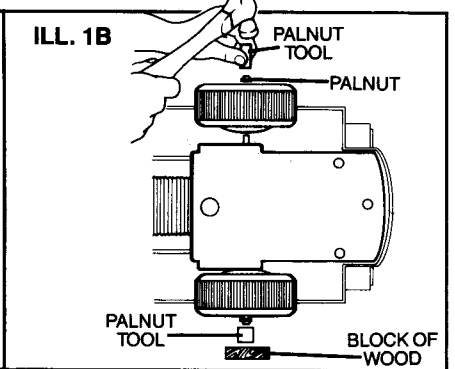
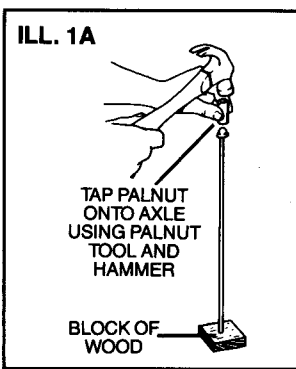
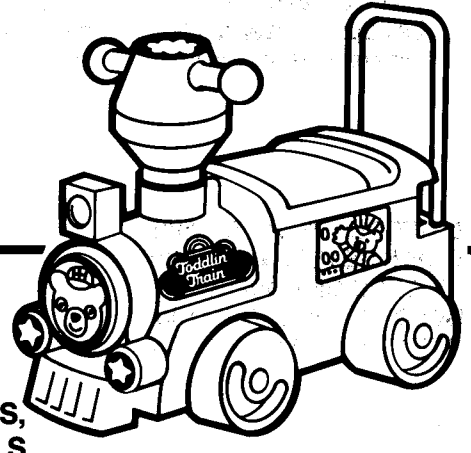
B. Place PALNUT TOOL onto block of wood. Turn vehicle over so PALNUT already installed on axle fits into PALNUT TOOL on block of wood. Place second rear wheel onto axle, indented side out. Use hammer and second PALNUT TOOL to gently tap other PALNUT onto end of axle.

- Position SMOKESTACK HANDLE over hole as shown. Press down until it locks into place.

Insert WALKER BAR firmly into holes at rear of cycle as shown. Pull firmly to remove it whenever you wish.

### CAUTION

**RIDE-ON TOY SHOULD NOT BE USED NEAR SWIMMING POOLS, ON OR NEAR HILLS, ROADWAYS, SLOPED DRIVEWAYS, ALLEYS OR STEPS. SHOES MUST BE WORN AT ALL TIMES. ONLY ONE RIDER AT A TIME. ADULT SUPERVISION AND INSTRUCTION REQUIRED REGARDING THE PROPER USE OF THIS TOY.**



PLEASE RETAIN THIS GUIDE AND ALL LITERATURE FOR FUTURE REFERENCE.

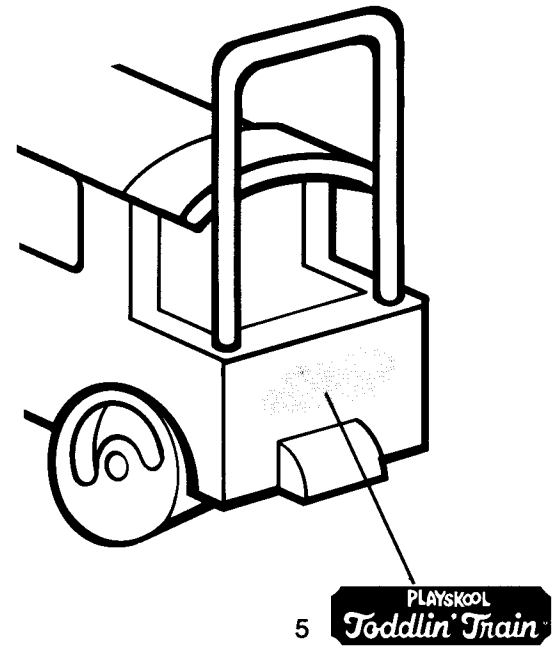
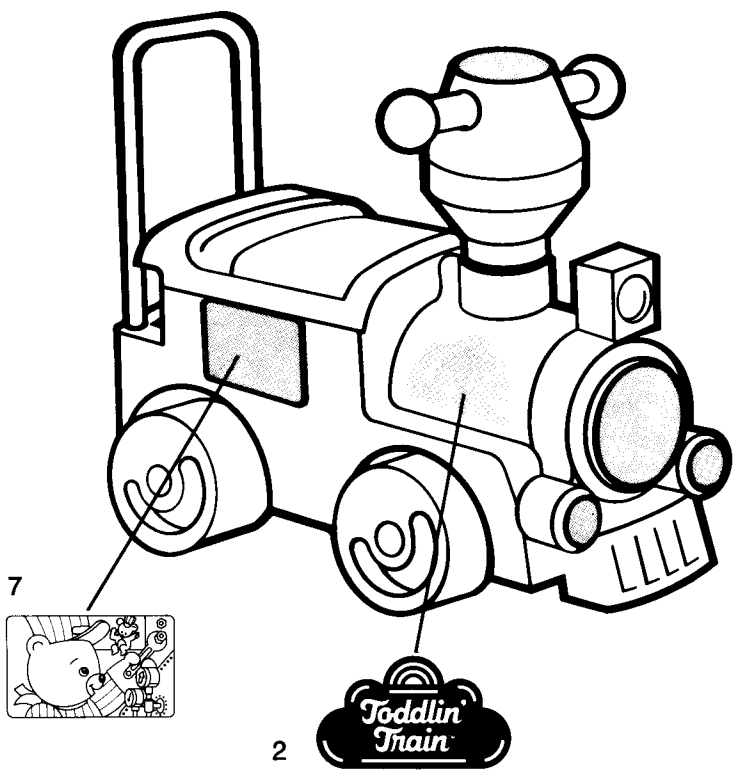
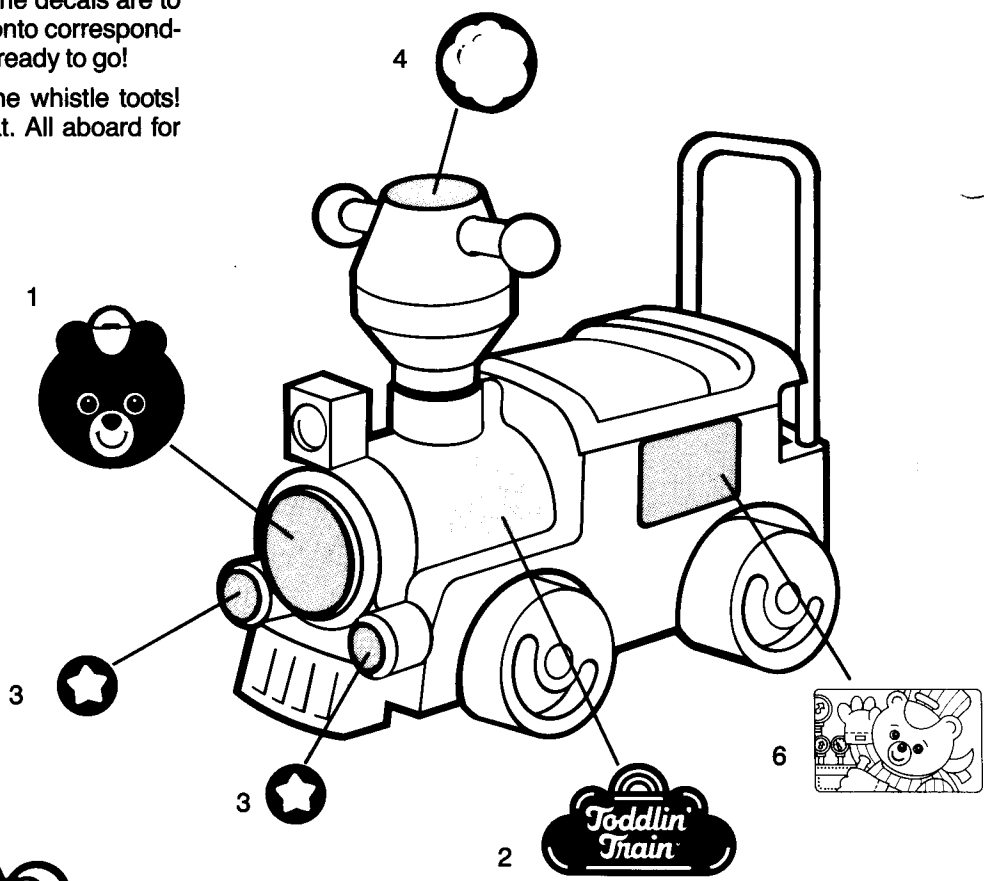
**IMPORTANT NOTICE:**  
PARENTS PLEASE MAKE PERIODIC INSPECTIONS OF VEHICLE HARDWARE TO ENSURE THAT IT IS SECURE.

4. Using a clean cloth, wipe the areas to which the decals are to be applied. Peel labels from sheet and place onto corresponding areas as shown in illustration. Now you're ready to go!

Look! The front chugs in and out! Listen! The whistle toots! There's even room for storage under the seat. All aboard for fun!

**CAUTION: DECALS HAVE QUICK SETTING ADHESIVE. BE SURE OF POSITION BEFORE APPLYING. IT IS DIFFICULT TO LIFT DECAL AFTER SETTING.**

**NOTE: DECALS, LABELS AND PAINTED SURFACES ARE NON-TOXIC.**



**PLEASE NOTE:** If you have any questions or comments concerning this product, call our Playskool Customer Service hotline 1-800-237-0063 Monday through Friday, 8:30 am to 4:30 pm. Eastern Standard Time. In Rhode Island, call: 431-8697

All written inquiries should be mailed to:  
 Playskool Consumer Services Division  
 P.O. Box 5839, Pawtucket, Rhode Island 02862  
 This will provide quick and reliable service for your product.  
 Do not request same from your dealer.

