

Tonka®

Ages 3 & Up

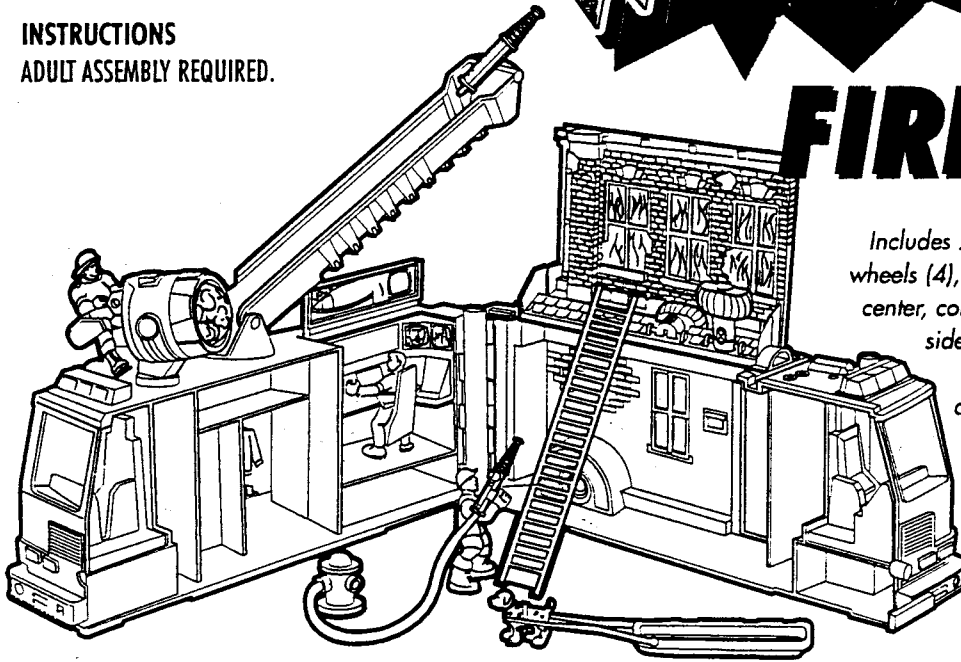
Thank you for purchasing this large-scale fire truck that opens up to a world of excitement inside. If you have any questions, comments, or need additional information concerning this product, please call 1-800-24TONKA.

INSTRUCTIONS
ADULT ASSEMBLY REQUIRED.

ACTION WORLD!

Open Up a New World of Play!™

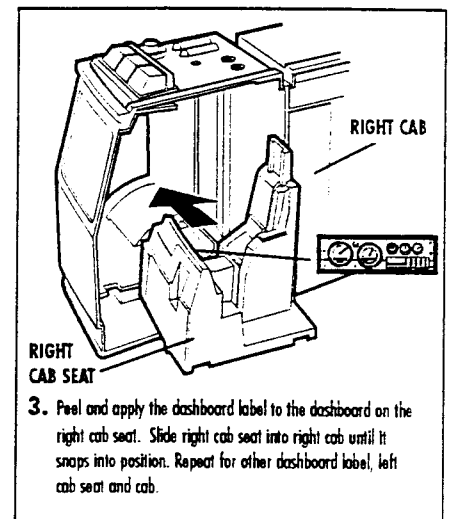
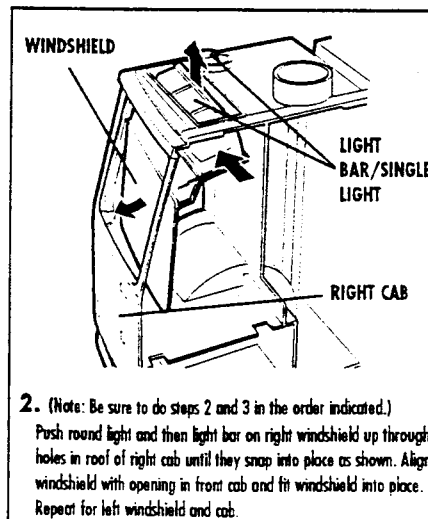
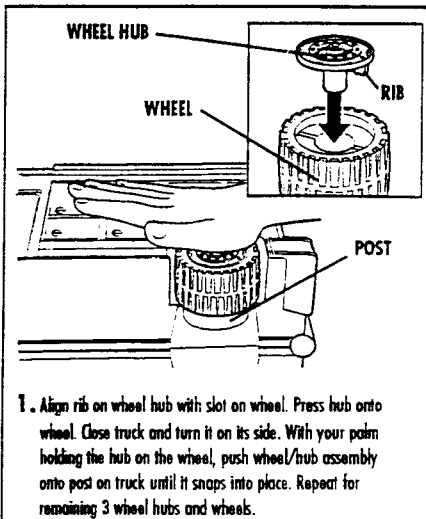
FIRE TRUCK



Includes 2 firefighters, paramedic, dalmatian, wheels (4), wheel hubs (4), water cannon, control center, control center door, control center chair, side access door, gauge panel, windshield (L), windshield (R), cab door (L), cab door (R), cab seat (L), cab seat (R), front bumpers (2), rear bumpers (2), "water" ball, aerial ladder, portable ladder (2 halves), hoses (2), fire hydrant (2 halves), water nozzles (2), targets (2), harness and gurney.

ASSEMBLY ASSEMBLY ASSEMBLY ASSEMBLY

Parents: To get things rolling, spread out all the parts and have them ready for assembly. Carefully follow the steps below to prepare the fire truck for action!



ASSEMBLY ASSEMBLY ASSEMBLY ASSEMBLY

4. Align tabs on left front bumper with holes in left cab. Snap bumper onto truck. Repeat for right front bumper and cab.

5. Snap hinges on left cab door onto post on left cab. Repeat for right cab door and cab.

6. Fit top tab on gauge panel into slot on right side of truck. Snap bottom tabs into slots to secure gauge panel.

7. Fit bottom pin on side access door into bottom slot on left side of truck. Slightly bend door to fit top pin into top slot.

8. Align tab on right rear bumper (exhaust facing down) with slot on right rear of truck. Snap bumper onto truck. Repeat for left rear bumper.

9. Align 4 posts on control center with 4 posts on inside of truck (right side rear). Press control center in until it snaps into place.

10. Snap control center chair into control center as shown.

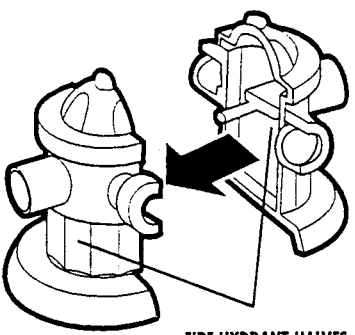
11. Fit recess on one side of control center door over nub on control center top. Slightly bend door to fit other recess over other nub.

12. Swing the fire wall up so that it rests on top of the truck. Fit target onto fire wall base by squeezing bottom of target and inserting pins on target into slots on fire wall, one side at a time. Repeat for other target.

13. Position rounded end of aerial ladder over ladder base, so that ladder extends out from the low side of the ladder base as shown. Snap pins on aerial ladder into holes in ladder base. If installed correctly, the ladder, when lowered, will be in a horizontal position (not angled up). Remove ladder and reverse position if installed incorrectly.

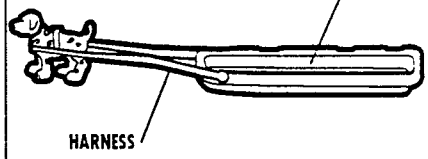
14. Press water cannon into cannon holder on top of right cab.

ASSEMBLY ASSEMBLY ASSEMBLY ASSEMBLY



FIRE HYDRANT HALVES

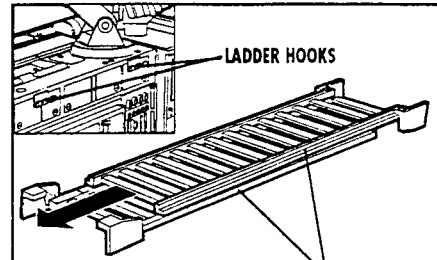
15. Press together fire hydrant halves.



GURNEY

HARNESS

16. Snap harness ends onto gurney pins.



LADDER HOOKS

PORTABLE LADDER HALVES

17. Slide one portable ladder half into the other as shown. (Parts are identical.) Ladder hangs on ladder hooks on the right side of the truck (inset).

18. Peel and apply labels as shown.

Tonka ACTION WORLD (Apply to both sides)

Tonka

CAUTION

Tonka

Tonka (Apply to both sides)

CAUTION

Tonka 1

CHIEF

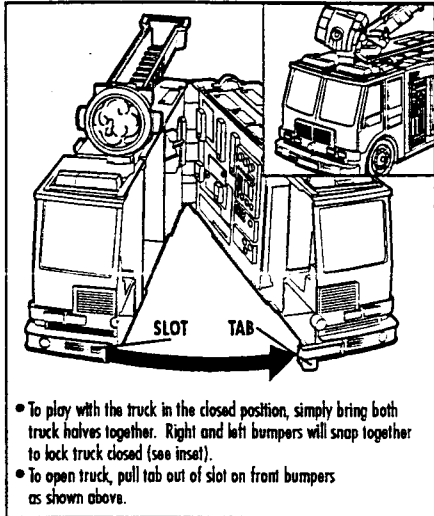
STEEL (Apply to both sides)

100 (Apply to both sides)

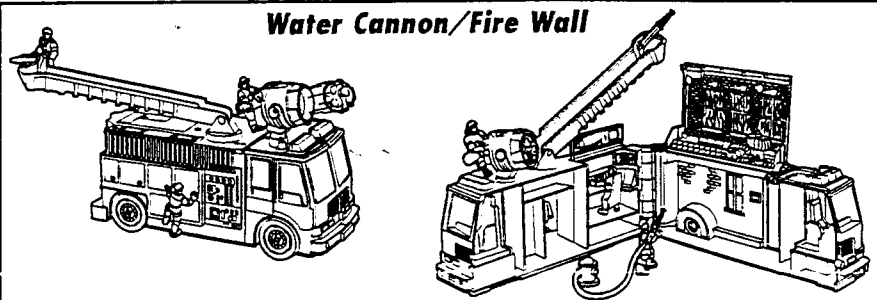
WAY TO GO! ASSEMBLY IS COMPLETE!

PLAY FEATURES PLAY FEATURES PLAY FEATURES

Kids and Parents: Now you're ready to discover all the fun things you can do with the Action World™ Fire Truck -- inside and out!



- To play with the truck in the closed position, simply bring both truck halves together. Right and left bumpers will snap together to lock truck closed (see inset).
- To open truck, pull tab out of slot on front bumpers as shown above.



Shoot the "water" ball out of the cannon to put out a fire or hit a target! Here's how:

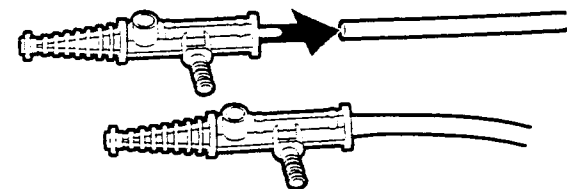
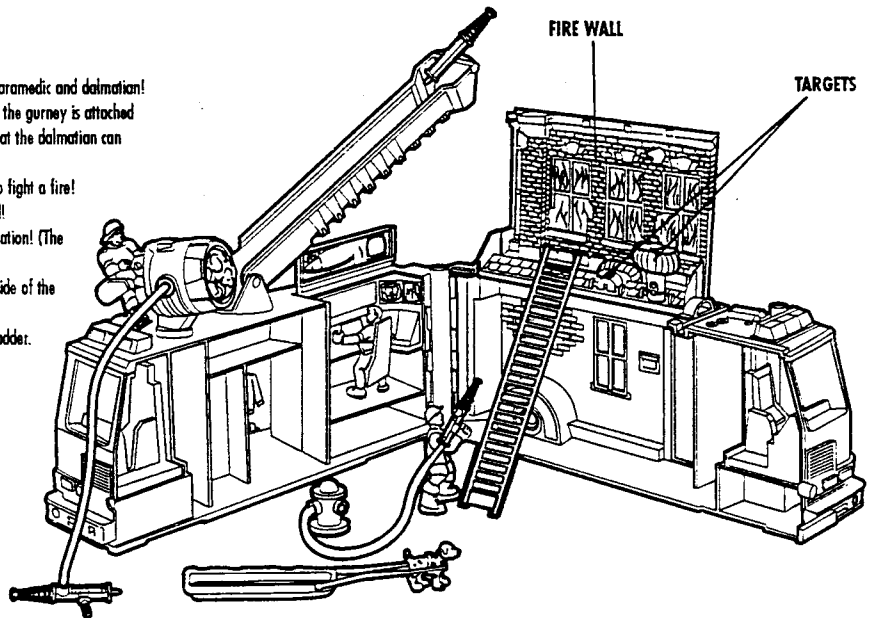
1. Open the truck halves. Swing the fire wall up so that it rests on top of truck. Slide the tab on the outside of the fire wall all the way up while lightly pressing on it until it clicks into position. Flames will now be visible on the card through the windows on the fire wall.
2. Insert ball into water cannon, then push the ball in until cannon clicks in loaded position.
3. Aim the plunger at the fire wall, and press the button on top of the cannon...when the ball hits the wall, the card drops down -- making the flames disappear and smoke appear!
4. You can also shoot the "water" ball at the collapsible targets on the base of the fire wall (see step 12 for target installation).

Note about fire wall: For safety purposes, the fire wall is designed to detach if force is applied to it. To reinstall, angle fire wall so that one pin is positioned in front of one bracket, and the other pin in back of the other bracket. Snap front pin into bracket. Then, bring fire wall around so that the other pin is in front of the other bracket and snap that pin into bracket.

Play Figures

You'll find lots of fun places and activities for the 2 firefighters, paramedic and dalmatian!

- Fit the harness over the dalmatian's head and check to see that the gurney is attached (as indicated in step 14). Then, place a figure on the gurney that the dalmatian can pull to safety!
- Place the figures in the cab seats and roll the truck on its way to fight a fire!
- Place a figure in the water cannon seat to shoot the "water" ball!
- Place a figure in the control panel to direct the firefighting operation! (The seat swivels and moves in and out!)
- Press the hands of a firefighter onto the handles on the either side of the truck. Hang on tight!
- Place firefighters and/or water nozzle at the top of the aerial ladder. Firefighters can also grip the water nozzles.



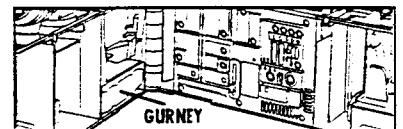
Water Hoses

Connect a water hose to the ports on the fire hydrant and water nozzle to put out fires! You can also attach the hoses to ports on the water cannon, gauge panel and fire wall.

STORAGE

After play, you can easily store all the accessories!

- Store portable ladder on ladder hooks on right side of truck.
- Store hoses on hose racks on left side of truck.
- Store all other accessories in the open areas inside the truck.
- Store gurney in bottom compartment section of control center (fit tab on compartment through slot in gurney.)



©1997 Hasbro, Inc., Pawtucket, Rhode Island 02862 USA.

All Rights Reserved.

ASSEMBLED IN MEXICO FROM U.S. COMPONENTS. FIGURES AND DOG MADE IN CHINA.

© denotes Reg. U.S. Pat. & TM Office.

90182 P/N 47021300