

Tonka®

TOUGH TRUCK ADVENTURES™

AGES 4+
90707/90690 Asst.

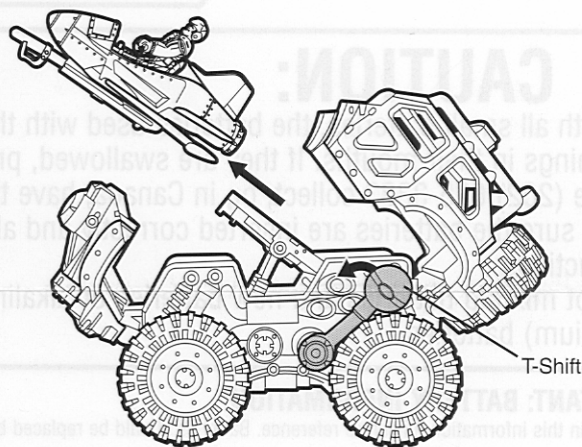
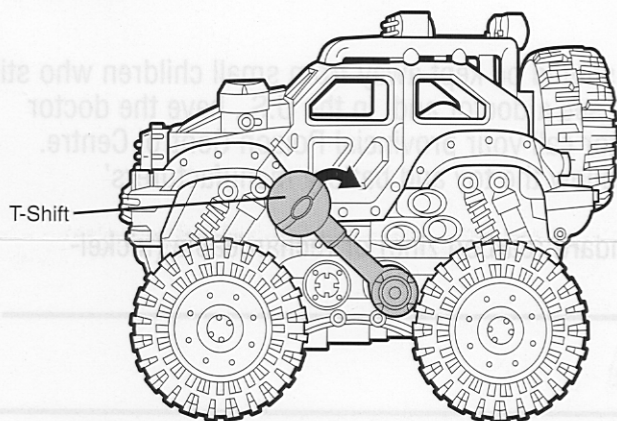
BOLT ATV™

Batteries included. Replace with 2 x 1.5V "AAA" or R03 size batteries. Alkaline batteries recommended. Phillips/cross head screwdriver (not included) needed to replace batteries.



TRUCK/JET

- Move the T-Shift – truck opens and deploys jet platform. Slide jet off platform for separate play.
- Move T-Shift to close truck, to play with it as part of the mission!
- To replace jet in truck, move T-Shift to deploy platform, if necessary. Slide jet onto platform. Move T-Shift to replace platform inside truck and make truck close.



SOUNDS & PHRASES

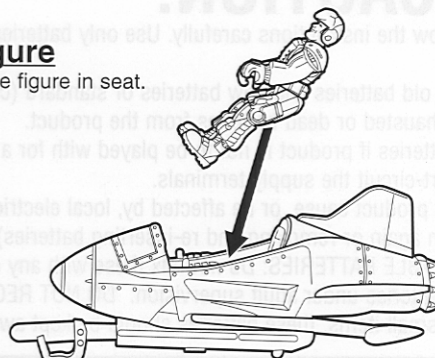
You hear sounds and phrases when you reveal the jet.

The phrases are:

- "Rockslides!"
- "Blastin' rockslides!"
- "Boulder rush!"
- "Go after-burners!"
- "Time to tame this mountain."
- "Those rocks are dust!"
- "Ya-hoo!"

Figure

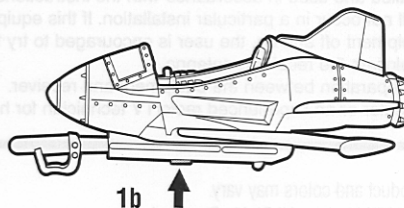
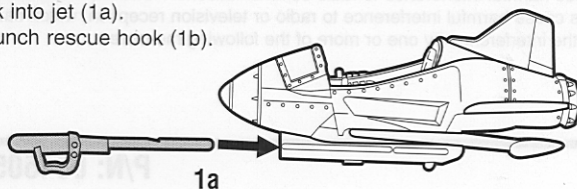
Place figure in seat.



RESCUE HOOK

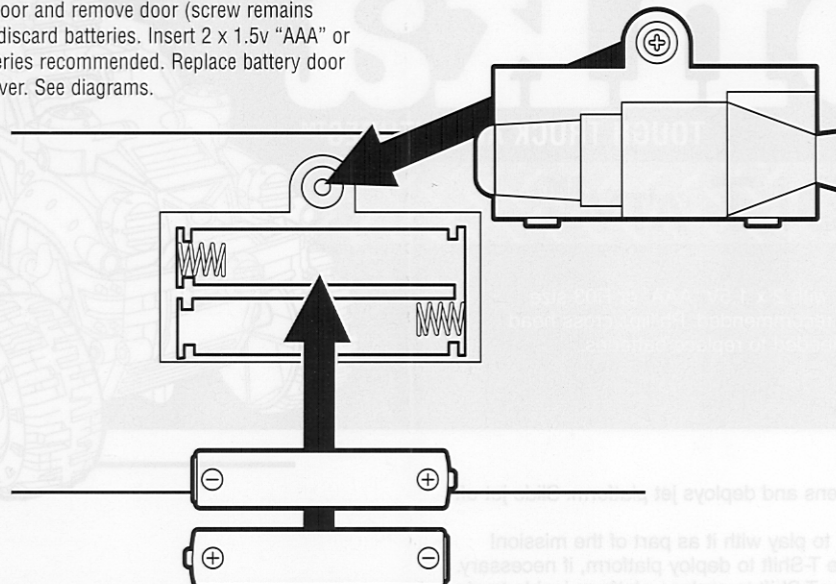
Insert rescue hook into jet (1a).

Press button to launch rescue hook (1b).



TO REPLACE BATTERIES

Use a Phillips/crosshead screwdriver (not included) to loosen screw securing battery compartment door and remove door (screw remains attached to door). Remove and discard batteries. Insert 2 x 1.5v "AAA" or R03 size batteries. Alkaline batteries recommended. Replace battery door and tighten screw with screwdriver. See diagrams.



CAUTION:

1. As with all small batteries, the batteries used with this toy should be kept away from small children who still put things in their mouths. If they are swallowed, promptly see a doctor and, in the U.S., have the doctor phone (202) 625-3333 collect, or, in Canada, have the doctor call your provincial Poison Control Centre.
2. Make sure the batteries are inserted correctly and always follow the toy and battery manufacturers' instructions;
3. Do not mix old batteries and new batteries or alkaline, standard (carbon zinc) or rechargeable (nickel-cadmium) batteries.

IMPORTANT: BATTERY INFORMATION

Please retain this information for future reference. Batteries should be replaced by an adult.

CAUTION:

1. Always follow the instructions carefully. Use only batteries specified and be sure to insert item correctly by matching the + and - polarity markings.
2. Do not mix old batteries and new batteries or standard (carbon-zinc) with alkaline batteries.
3. Remove exhausted or dead batteries from the product.
4. Remove batteries if product is not to be played with for a long time.
5. Do not short-circuit the supply terminals.
6. Should this product cause, or be affected by, local electrical interference, move it away from other electrical equipment. Reset (switching off and back on again or removing and re-inserting batteries) if necessary.
7. RECHARGEABLE BATTERIES: Do not mix these with any other types of batteries. Always remove from the product before recharging. Recharge batteries under adult supervision. DO NOT RECHARGE OTHER TYPES OF BATTERIES.
8. As with all small items, these batteries should be kept away from children. If swallowed, seek medical attention immediately.

FCC STATEMENT

This equipment has been tested and found to comply with the limits for a Class B digital device, pursuant to part 15 of the FCC Rules. These limits are designed to provide reasonable protection against harmful interference in a residential installation. This equipment generates, uses and can radiate radio frequency energy, and, if not installed and used in accordance with the instructions, may cause harmful interference to radio communications. However, there is no guarantee that interference will not occur in a particular installation. If this equipment does cause harmful interference to radio or television reception, which can be determined by turning the equipment off and on, the user is encouraged to try to correct the interference by one or more of the following measures:

- Reorient or relocate the receiving antenna.
- Increase the separation between the equipment and receiver.
- Consult the dealer or an experienced radio/TV technician for help.



Product and colors may vary.
© 2004 Hasbro. All Rights Reserved.
® denotes Reg. U.S. Pat. & TM Office.

P/N: 6345050000