

AGES 3 AND UP

CAUTION: Hair entanglement may result if child's hair comes in contact with moving wheels of toy. Adult supervision is required.

WARNING:

CHOKING HAZARD - Small parts. Not for children under 3 years.



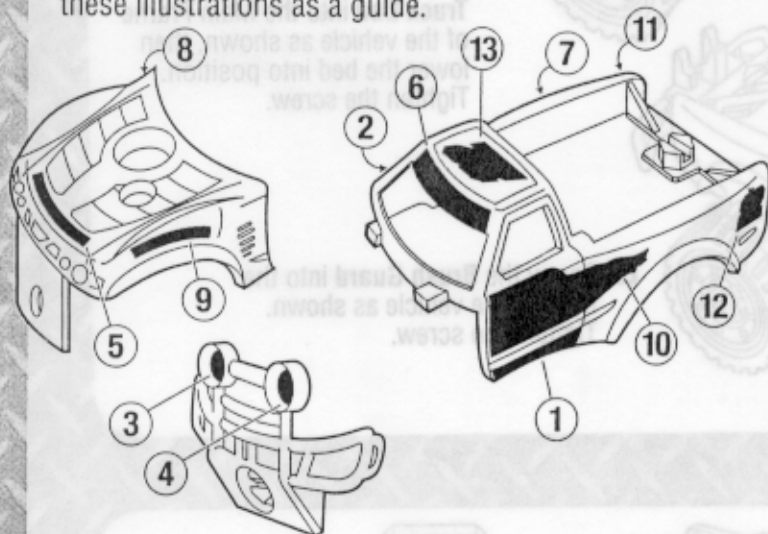
POWER BLAZIN' BAJA™ TRUCK

INSTRUCTIONS

#03847

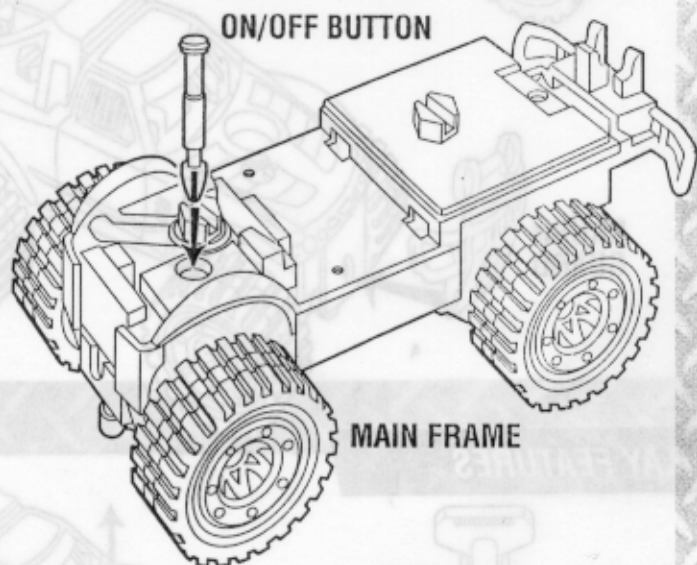
LABEL APPLICATION

Apply labels to the unassembled pieces using the numbers on the label sheet and these illustrations as a guide.



ASSEMBLY

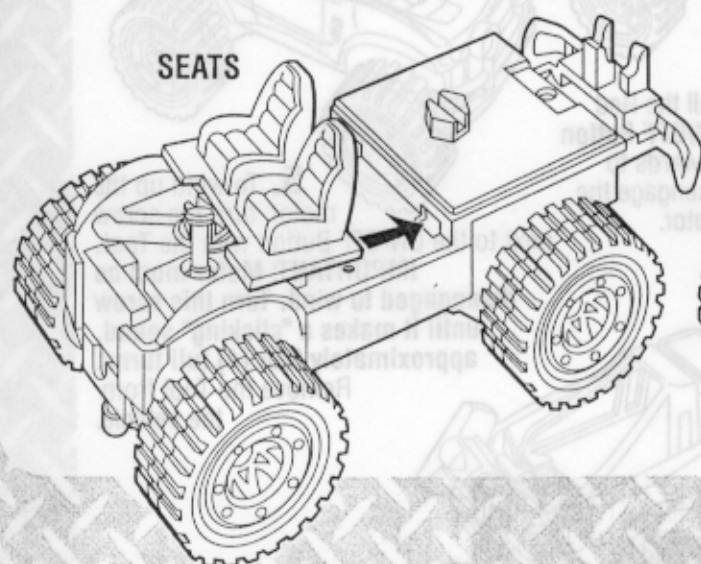
1. **ONE-TIME ASSEMBLY** Snap the Red ON/OFF Button into the Main Frame as shown.

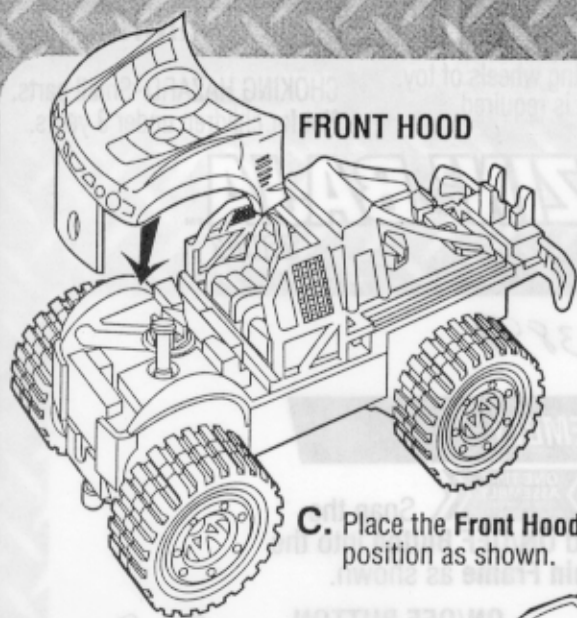


2. Assemble the parts in the order indicated.

A. Insert the tabs on the Seats into position as shown.

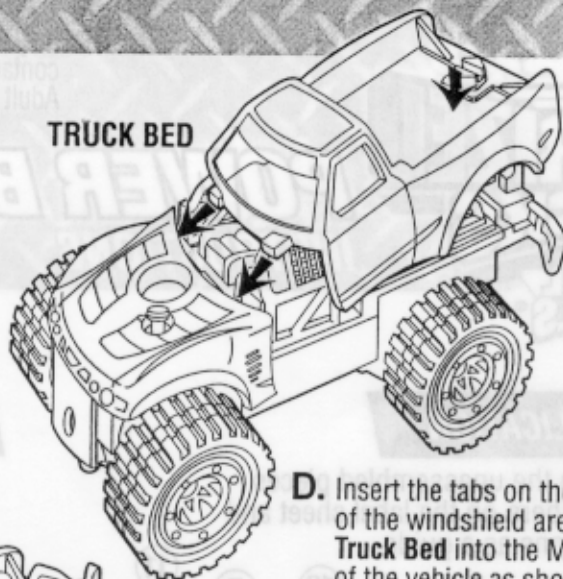
B. Insert the Roll Cage into position as shown.





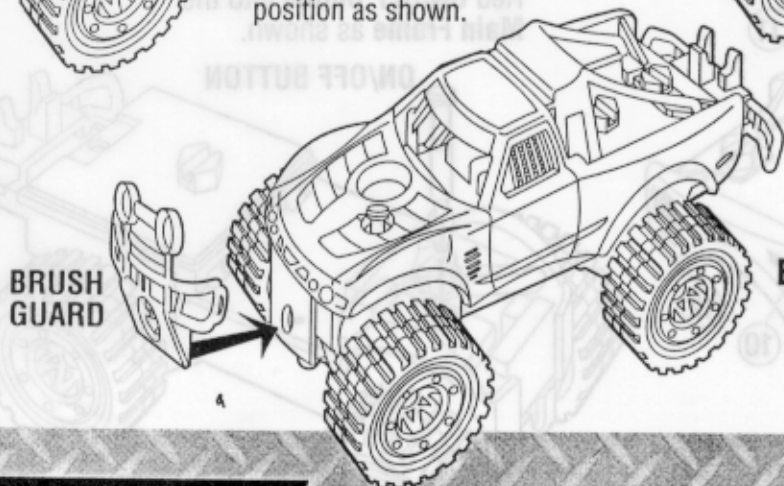
FRONT HOOD

C. Place the **Front Hood** into position as shown.



TRUCK BED

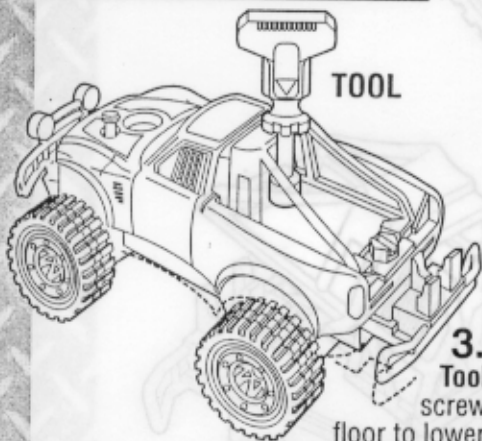
D. Insert the tabs on the bottom of the windshield area of the **Truck Bed** into the Main Frame of the vehicle as shown, then lower the bed into position. Tighten the screw.



BRUSH GUARD

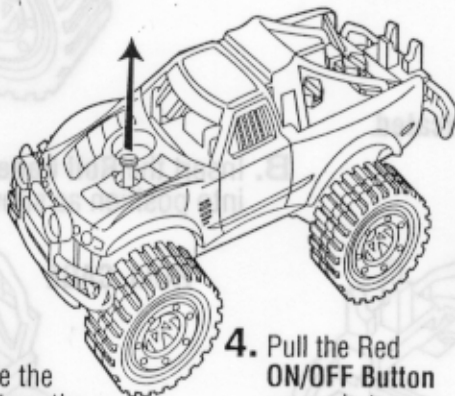
E. Screw the **Brush Guard** into the front of the vehicle as shown. Tighten the screw.

PLAY FEATURES



TOOL

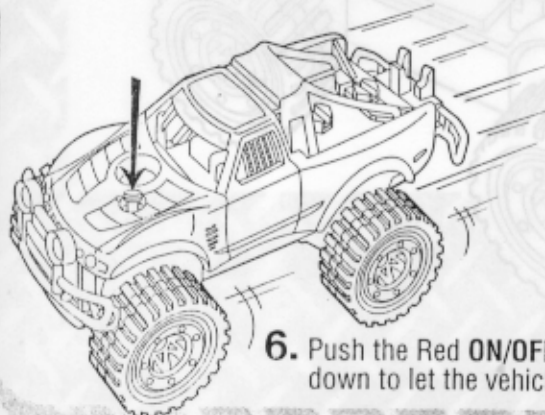
3. Use the **Tool** to turn the screw in the **Truck Bed** floor to lower or raise the vehicle's suspension.



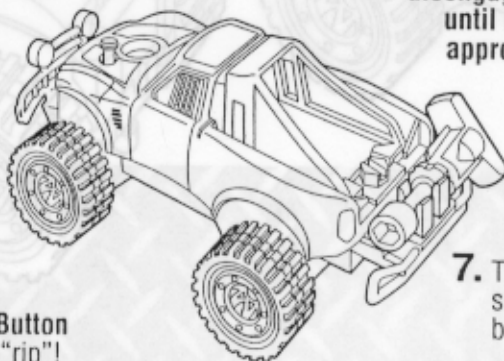
4. Pull the **Red ON/OFF Button** upwards to disengage the motor.



5. To wind up the motor, turn the screw next to the **ON/OFF Button** with the **Tool**. **IMPORTANT: Motor must be disengaged to wind. Turn this screw until it makes a "clicking" sound, approximately four (4) full turns. Remove the Tool from the vehicle.**



6. Push the **Red ON/OFF Button** down to let the vehicle "rip"!



7. The **Tool** can be snapped into the back bumper as shown.