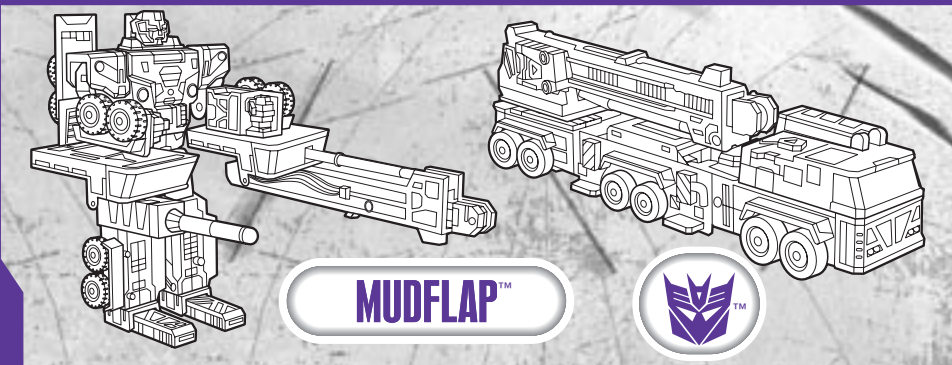


TRANSFORMERS

CYBERTRON

ROBOTS IN DISGUISE



MUDFLAP™



AGES 5+

80914/80287 Asst.

TRANSFORMERS.COM

NOTE: Some parts are made to detach if excessive force is applied and are designed to be reattached if separation occurs. Adult supervision may be necessary for younger children.

CHANGING TO ROBOT

1. Detach the crane arm from the vehicle.
2. Flip the crane arm over to reveal the robot's torso.
3. Attach the robot's arms to the torso.
4. Attach the robot's legs to the torso.
5. Attach the robot's feet to the legs.
6. Attach the robot's hands to the arms.
7. Attach the robot's feet to the legs.
8. Attach the robot's arms to the torso.
9. Attach the robot's legs to the torso.
10. Attach the robot's feet to the legs.

KEY ACTIVATED

INSERT KEY TO ACTIVATE FEATURES!

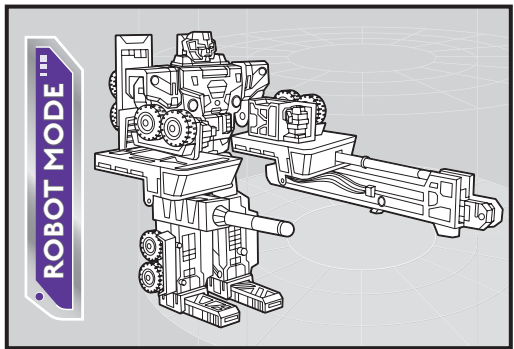
CYBER PLANET KEY™ flips out saw!

CYBER PLANET KEY™ snaps open blaster with firing projectile!

KEY ACTIVATED SAW!

1. Insert missile. 2. Push to fire.

P/N 6493490000



Reverse order of instructions to convert back into vehicle.

Some poses may require hand support. Product and colors may vary.

Hasbro
© 2005 Hasbro. All Rights Reserved. TM & © denote U.S. Trademarks. Manufactured under license from Takara Co., Ltd.

GO TO **TRANSFORMERS.COM**

ENTER THE CODE FROM THE CYBER PLANET KEY FOR MORE TRANSFORMERS® INFO!

CODE