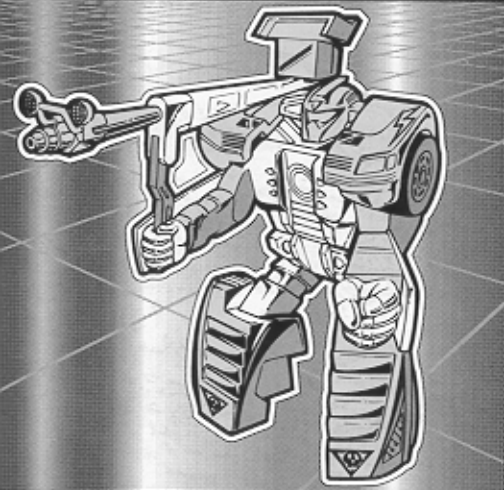


THE TRANSFORMERS®

ROBOTS
IN
DISGUISE

GENERATION 2



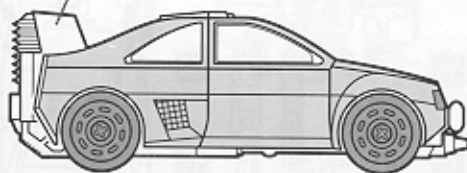
HEROIC AUTOBOT® GOBOTS®

SET INCLUDES:

Includes "Gobots"™ car, water weapon, label sheet and instructions.

Product and colors may vary.
Caution: Do not point weapon at eyes or face.

WATER WEAPON

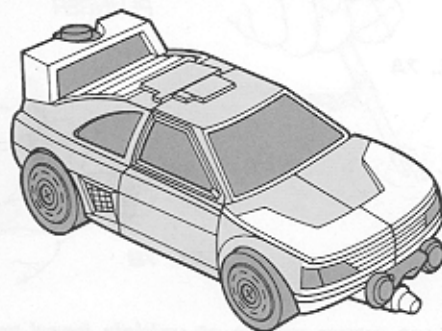


"GOBOTS"™ CAR

NOTE: Adult supervision may be necessary for younger children. Do not leave vehicle in sunlight, or any other intense light, for any extended period of time.

START

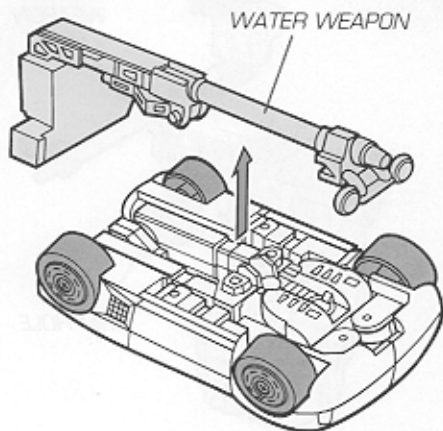
Enter the world of Transformers®, where the new generation of Heroic Autobots® and Evil Decepticons® battle head to head in a world where things are not what they seem! To convert car to robot, simply follow these step-by-step instructions.



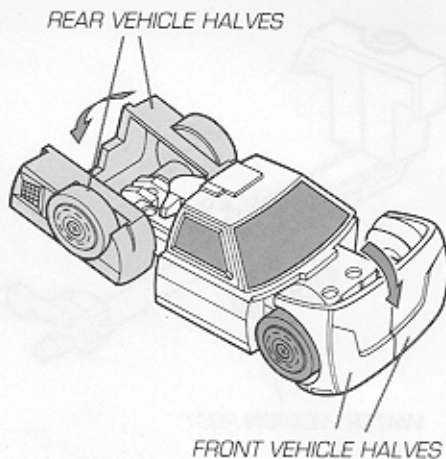
NOTE: Excessive force is not necessary.

STEP 1

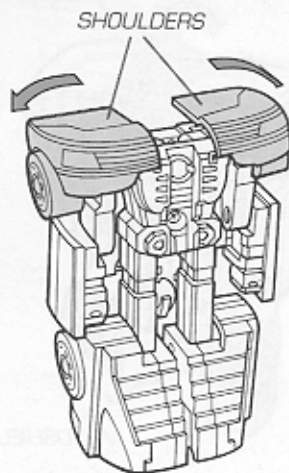
To make the robot, remove water weapon from beneath vehicle.

**STEP 2**

Fold back rear vehicle halves, flip up front vehicle halves.

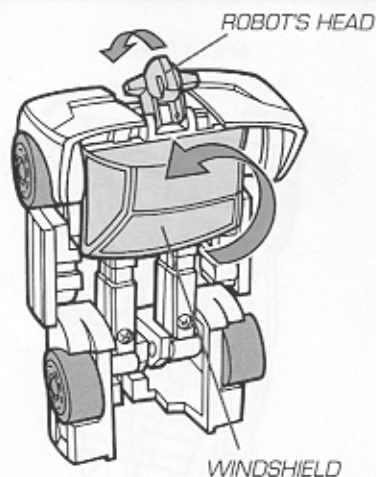
**STEP 3**

Stand robot up as shown. Pull out and down on front vehicle halves to form robot's shoulders.

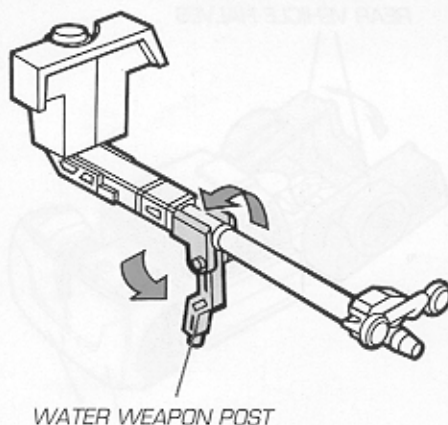


STEP 4

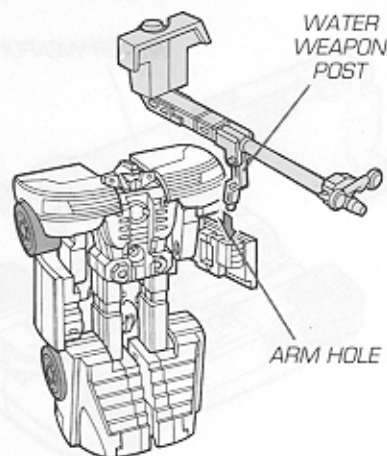
Rotate windshield up and fold robot's head forward.

**STEP 5**

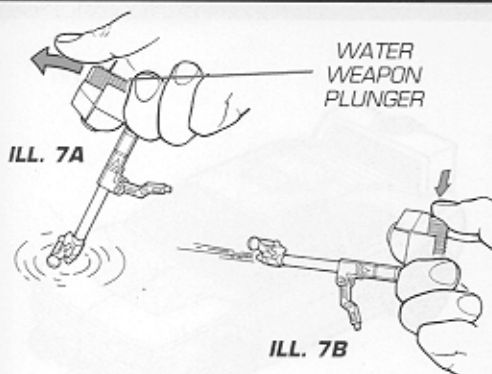
Pull up water weapon post and then turn down as shown.

**STEP 6**

Turn robot arms up and insert water weapon post into arm hole. Water weapon can also be used as a hand held weapon.

**STEP 7**

Press down on water weapon plunger and insert front of weapon into water. Release plunger to draw water up into weapon (ILL. 7A). Press down on plunger to squirt water (ILL. 7B).



Shoot warm water at vehicle hood to reveal battle damage and Autobot® symbol. Shoot cold water to bring back the original appearance.

FINISH

When converting robot back to car, reverse the order of these instructions. Peel and apply labels as shown.

