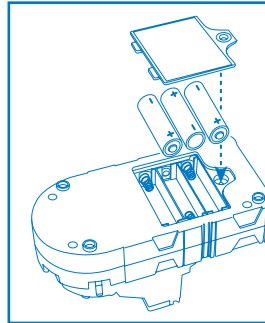


TO REPLACE BATTERIES

1. Make sure the switch on the side of the electronic base is in the OFF position.
2. Turn the electronic base upside down and unscrew the door to the battery compartment.
3. Insert 3 AA-size batteries. Make sure the + and – symbols align.
4. Screw the door back on to the battery compartment.




IMPORTANT: BATTERY INFORMATION

Please retain this information for future reference. Batteries should be replaced by an adult.

CAUTION:

1. Always follow the instructions carefully. Use only batteries specified and be sure to insert them correctly by matching the + and – polarity markings.
2. Do not mix old batteries and new batteries, or standard (carbon-zinc) with alkaline batteries.
3. Remove exhausted or dead batteries from the product.
4. Remove batteries if product is not to be played with for a long time.
5. Do not short-circuit the supply terminals.
6. Should this product cause, or be affected by, local electrical interference, move it away from other electrical equipment. Reset (switching off and back on again or removing and re-inserting batteries) if necessary.
7. **DO NOT USE RECHARGEABLE BATTERIES. DO NOT RECHARGE OTHER TYPES OF BATTERY.**

 This product and its batteries must be disposed of separately at your local waste recycling centre. Do not dispose of them in a household waste bin.

© 2009 Hasbro. All rights reserved.

Distributed in the United Kingdom by Hasbro UK Ltd., Caswell Way, Newport NP19 4YH. Tel: 00800 22427276.

Distributed in Australia by Hasbro Australia Limited, 570 Blaxland Road, Eastwood, NSW, 2122, Australia. Tel. 1300 138 697.

Distributed in New Zealand by Hasbro NZ (a branch of Hasbro Australia Limited), 221 Albany Highway, Auckland, New Zealand. Tel. 0508 828 200.

Distributed in the USA by Hasbro, Pawtucket, RI 02862 USA.



WARNING: CHOKING HAZARD – Small parts.
Not for children under 3 years.

www.hasbro.co.uk

MB
GAMES



120917117102 00

COSMIC CHICKEN



AGE
5+



2-4
PLAYERS

ADULT ASSEMBLY REQUIRED

See back page for battery insertion instructions.

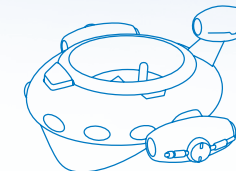
AIM OF THE GAME

Collect the most Asteroid Eggs and blast the alien chicken back to his own planet!

CONTENTS



Alien Chicken Capsule



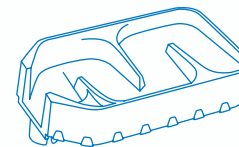
Spaceship



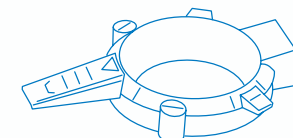
12 Asteroid Eggs



4 Asteroid Egg Carts



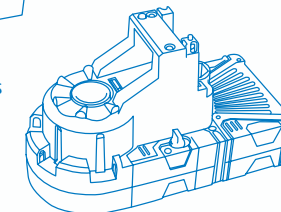
Asteroid Egg Tray



4 Asteroid Egg Catchers



4 Asteroid Egg Ramps



Electronic Base

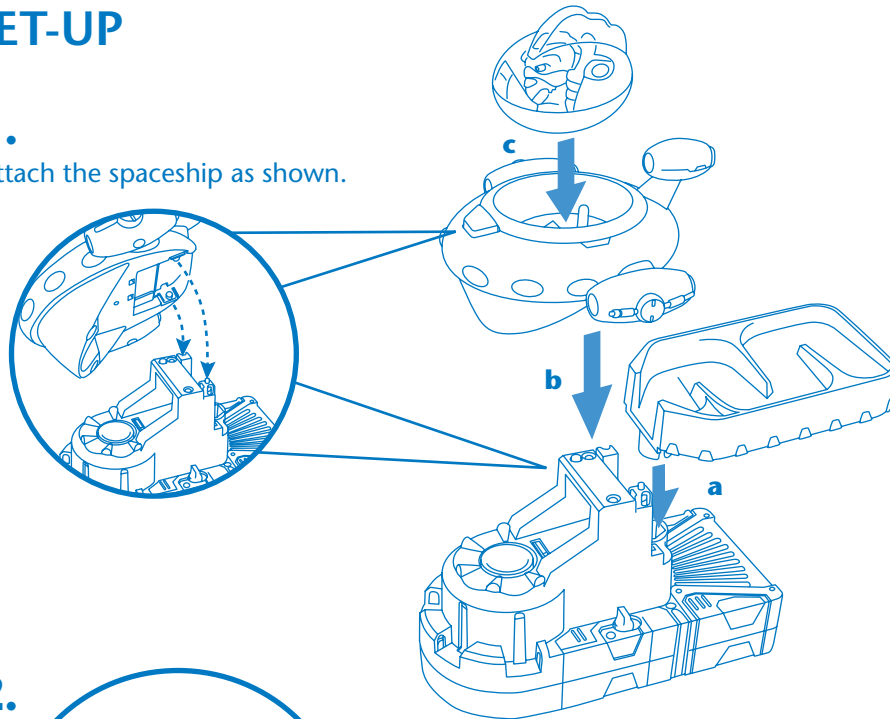
120917117102 00

Cosmic Chicken Instructions (UK)

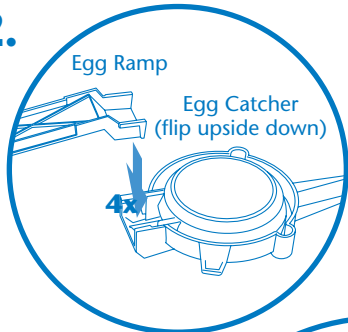
SET-UP

1.

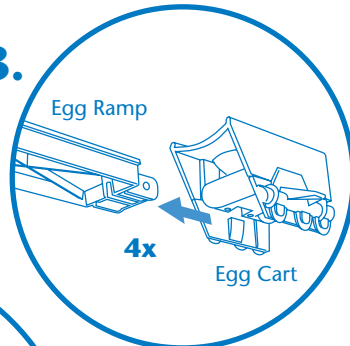
Attach the spaceship as shown.



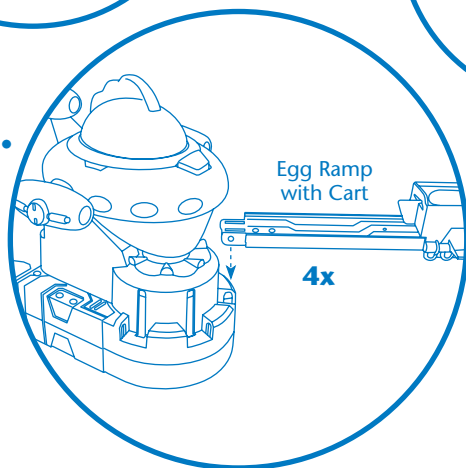
2.



3.

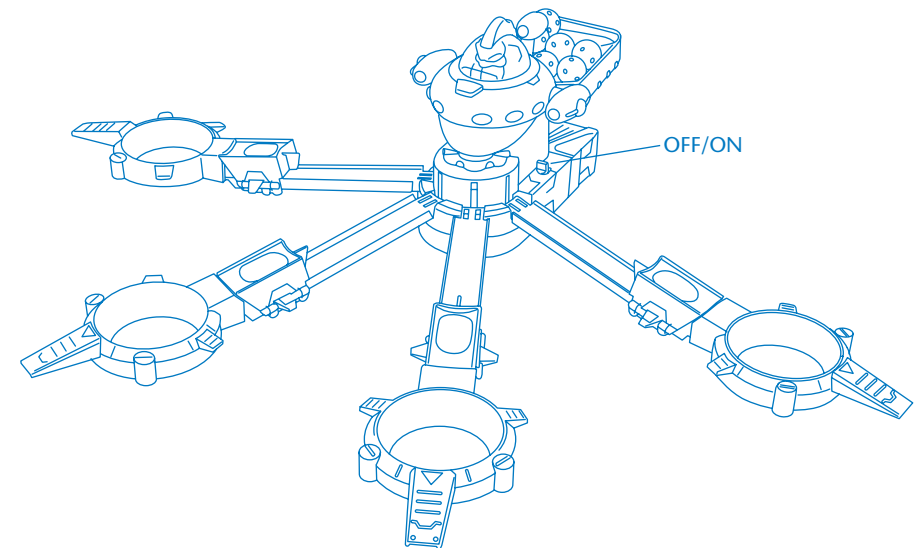


4.



GET READY!

Load asteroid eggs into egg tray. When you're ready to play, your game should look like this. Players choose one of the catchers and sit near it.



HOW TO PLAY

STOP THE ALIEN CHICKEN!

In this game, everyone tries to capture asteroid eggs at the same time. Turn the game on and try catching a few eggs to get a feel for the movement and timing.

LET'S PLAY!

1. Hold your Asteroid Egg Catcher by the handle without lifting it up.
2. When the spaceship lifts up, quickly lift and lower your egg catcher to try to bump the asteroid egg into your cart and slide it into your catcher.
3. Keep trying to catch asteroid eggs until they are all collected. If any asteroid eggs fall off the ramp, put them back into the tray and try again.

DID YOU WIN?

Did you collect the most asteroid eggs? Then you win! Push the blue button on the spaceship to send the alien chicken back to his planet!