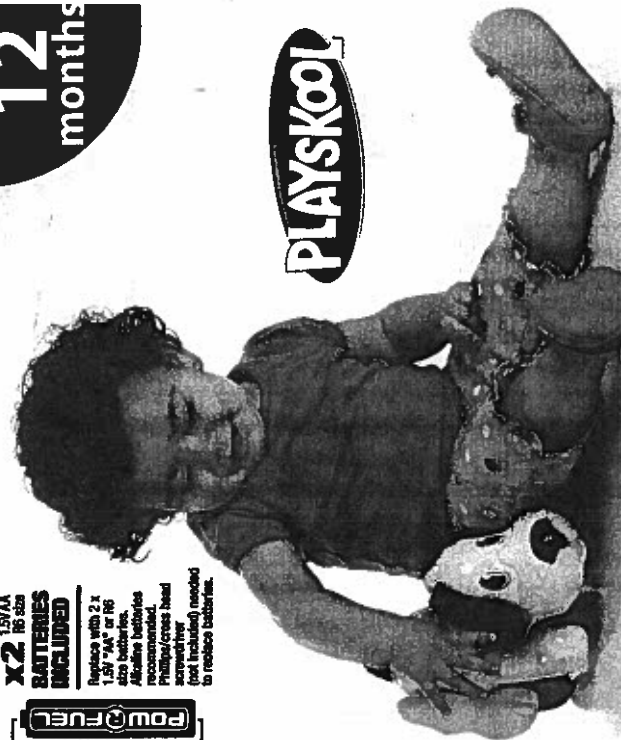


OVER
12
months

POWERED BY
X2 1.5V AA
R6 size
BATTERIES
INCLUDED
Replace with 2 x
1.5V "AA" or R6
size batteries.
Alkaline batteries
Phillips/cross head
screwdriver
(not included) needed
to replace batteries.

PLAYSKOOL



PLAY FAVORITES | Digger the Dog™

NOTE TO UK CONSUMERS: This product and its batteries must be disposed of separately at your local waste recycling centre. Do not dispose of in your household waste bin.

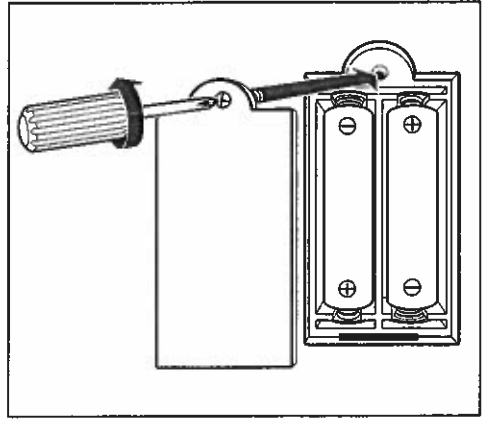
Visit **PLAYSKOOL.com**
Questions? Call 1-800-PLAYSKL

© 2006 Hasbro. All Rights Reserved.
TM & © denote U.S. Trademarks.
02870 PH 61661-30009

hasbro

TO REPLACE BATTERIES

Use a Phillips/cross head screwdriver (not included) to loosen screw in battery compartment door (screw remains attached to door). Remove old batteries. Insert 2 x 1.5V "AA" or R6-size batteries. Alkaline batteries recommended. Replace door and tighten screw.



IMPORTANT: BATTERY INFORMATION

CAUTION:

1. Always follow the instructions carefully. Use only batteries specified and be sure to insert them correctly by matching the + and - polarity markings.
2. Do not mix old batteries and new batteries or standard (carbon-zinc) with alkaline batteries.
3. Remove exhausted or dead batteries from the product.
4. Remove batteries if product is not to be played with for a long time.
5. Do not short-circuit the supply terminals.
6. Should this product cause, or be affected by, local electrical interference, move it away from other electrical equipment. Reset (switching off and back on again or removing and re-inserting batteries) if necessary.
7. **RECHARGEABLE BATTERIES:** Do not mix these with any other types of batteries. Always remove from the product before recharging. Recharge batteries under adult supervision. **DO NOT RECHARGE OTHER TYPES OF BATTERIES.**