



WARNING:

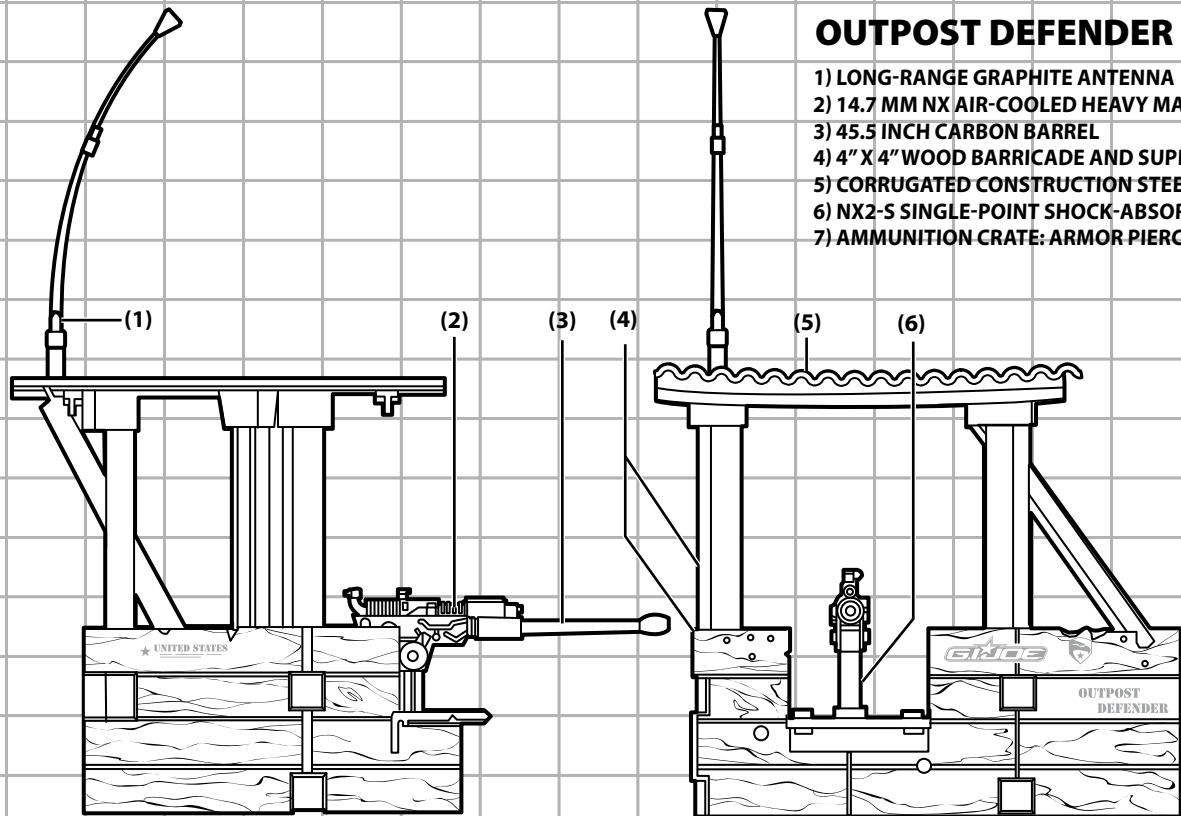
CHOKING HAZARD-Small parts.
Not for children under 3 years.

OUTPOST DEFENDER

AGES 4+

91714/91712 Asst.

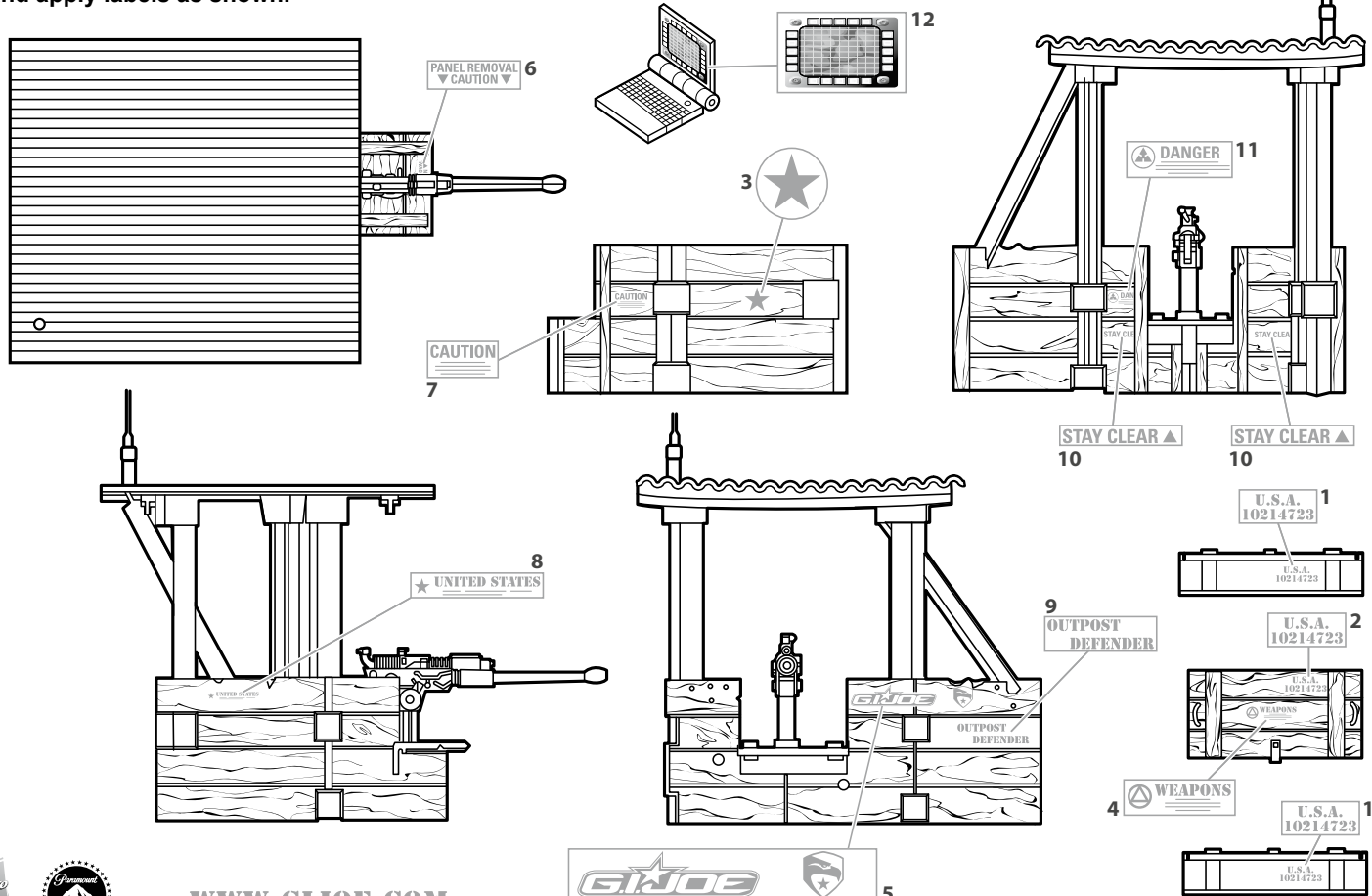
- 1) LONG-RANGE GRAPHITE ANTENNA
- 2) 14.7 MM NX AIR-COOLED HEAVY MACHINE GUN
- 3) 45.5 INCH CARBON BARREL
- 4) 4" X 4" WOOD BARRICADE AND SUPPORT COLUMNS
- 5) CORRUGATED CONSTRUCTION STEEL ROOF
- 6) NX2-S SINGLE-POINT SHOCK-ABSORBING MOUNT
- 7) AMMUNITION CRATE: ARMOR PIERCING SHELLS



(7)



Peel and apply labels as shown.



WWW.GIJOE.COM

