



WARNING:

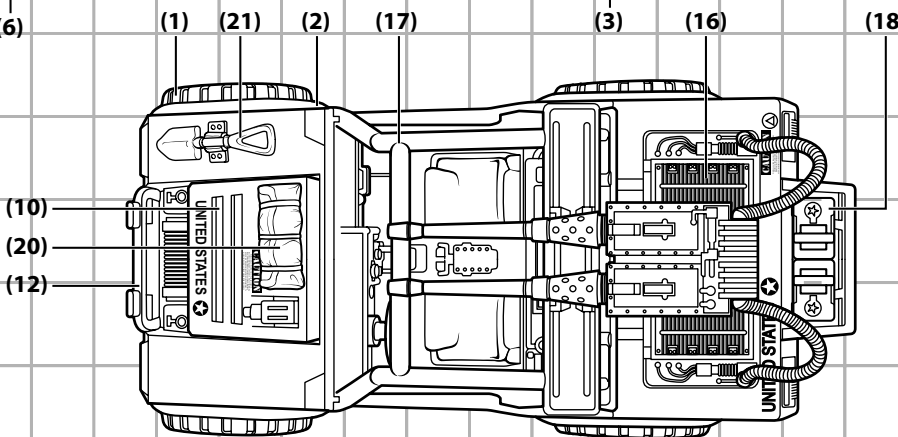
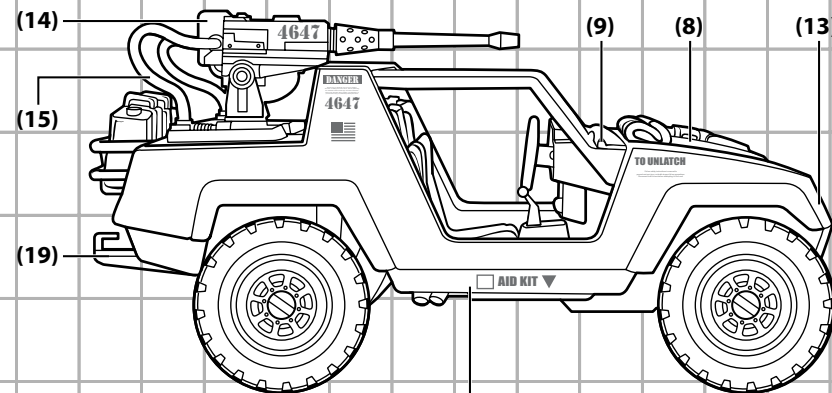
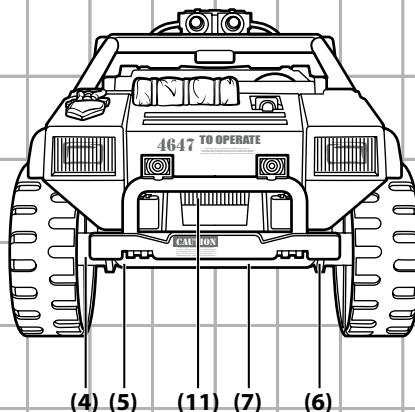
CHOKING HAZARD-Small parts.
Not for children under 3 years.

AGES 5+

65269/65266 Asst.

VAMP™

- 1) OFF-ROAD TIRES ON ALLOY WHEELS
- 2) URETHANE FENDER FLARES
- 3) CONCEALED AID KIT AND TOOLBOX
- 4) 4-WHEEL DISK BRAKES
- 5) 4-WHEEL INDEPENDENT SUSPENSION
- 6) 4-WHEEL DRIVE
- 7) 4.8 LITER V-12 FUEL-INJECTED TWIN-TURBO ENGINE;
RANGE: 550 MILES; TOP SPEED: 140 MPH
- 8) REMOVABLE FIBERGLASS HOOD CANOPY
- 9) HOOD HOLD-DOWN PINS
- 10) HEAT EXTRACTORS
- 11) HEAVY-DUTY WINCH
- 12) TOW BAR
- 13) HALOGEN HEADLAMP WITH ELECTRIC DEFROSTER
- 14) MACHINE GUN: 7.63MM/COMPUTER SYNCHRONIZED
- 15) RAPID-INDUCTION AIRBOOST HOSES
- 16) CANNON VENTILATOR INTAKES
- 17) ROLL CAGE
- 18) BULLETPROOF GAS CANS
- 19) TOW HOOK
- 20) PORTABLE GEAR PACK
- 21) UTILITY SHOVEL



WWW.GIJOE.COM

Peel and apply labels as shown.

