

Download
the free my3D™ app
from the App Store™.



my3D™



iPhone 3G
8GB 16GB



iPhone 3GS
8GB 16GB 32GB



iPhone 4
16GB 32GB



iPod touch
2nd generation
8GB 16GB 32GB



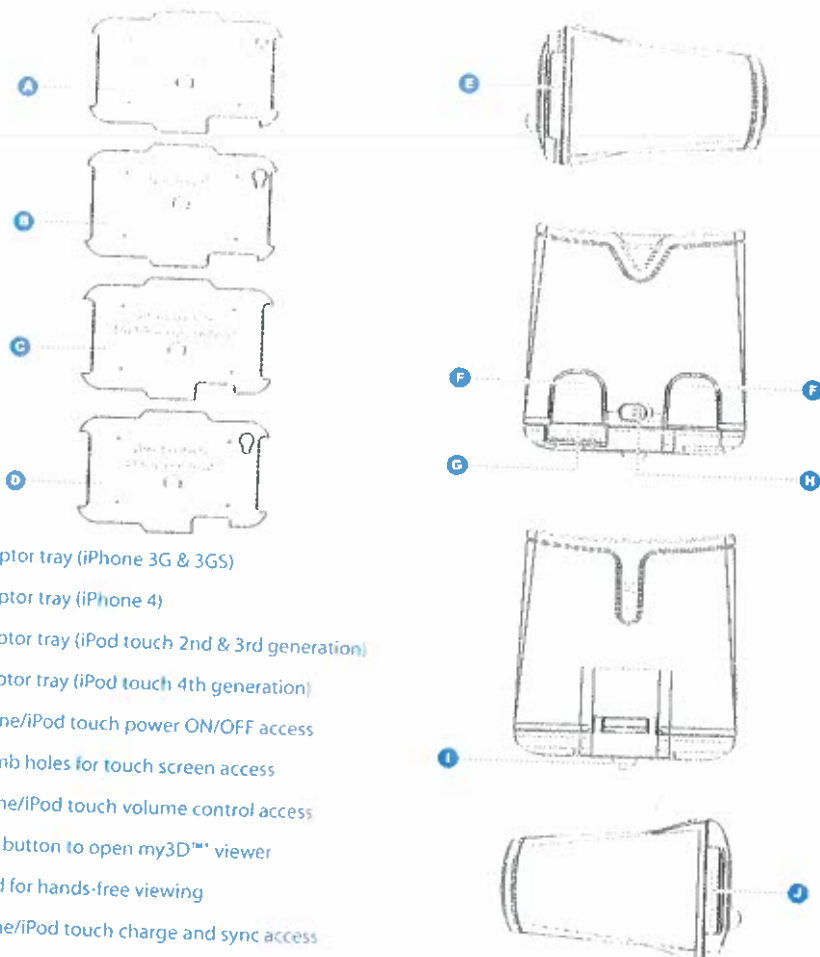
iPod touch
3rd generation
32GB 64GB



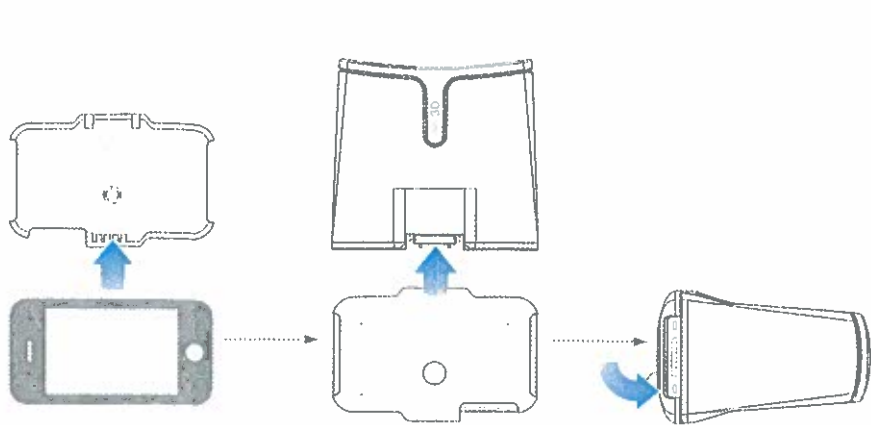
iPod touch
4th generation
8GB 32GB 64GB

PRODUCT GUIDE

32274



- A** Adaptor tray (iPhone 3G & 3GS)
- B** Adaptor tray (iPhone 4)
- C** Adaptor tray (iPod touch 2nd & 3rd generation)
- D** Adaptor tray (iPod touch 4th generation)
- E** iPhone/iPod touch power ON/OFF access
- F** Thumb holes for touch screen access
- G** iPhone/iPod touch volume control access
- H** Slide button to open my3D™ viewer
- I** Stand for hands-free viewing
- J** iPhone/iPod touch charge and sync access

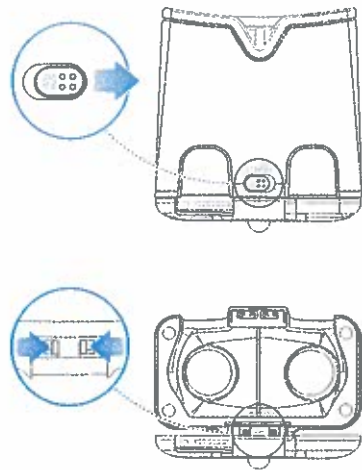


ASSEMBLY

- Step 1:** Choose the adaptor tray that fits your iPhone/iPod touch. Snap your iPhone/iPod touch into place.
- Step 2:** Attach the adaptor tray to the viewer and snap shut.

USING YOUR my3D™**

- Step 1:** Download the free my3D™** app from the App Store™ to get started.
- Step 2:** Browse to find additional my3D™** apps from the App Store™.



OPENING/REMOVAL ADAPTOR TRAY

- Step 1:** Slide the button and flip open the adaptor tray.
- Step 2:** Squeeze the release pins to remove the tray from the viewer.



 **CAUTION:**

This viewer is intended for viewing 3D content ONLY. Some users may experience discomfort such as eye strain or nausea while viewing 3D images/video or playing stereoscopic 3D games. If you experience any of these symptoms, you should immediately discontinue use of this device until the discomfort subsides.

Use of this device is not recommended for extended periods. Take frequent breaks during use if necessary (length and frequency will vary by individual). If symptoms persist, discontinue use.

It is recommended that you consult your doctor (such as an optometrist or pediatrician) before allowing young children to watch 3D images/video or play stereoscopic 3D games, as their vision is still under development. Adult supervision is recommended for young children to ensure they follow the recommendations listed above.

Note: This is not a protective case. iPhone/iPod touch not included.

Works with specially formatted content only. Images appear on your iPhone/iPod touch screen.

Note: Hasbro is not responsible for any content distributed through the App StoreSM, except for Hasbro generated content. Please refer to Apple Inc.'s terms and conditions for further information.

User should remain stationary while using this product.

For more information visit

hasbroMY3D.com

Questions? Call: 1-800-255-5516



Patent Pending.

Product and colors may vary.

®* and/or TM* & © 2010 Hasbro.

All Rights Reserved. TM & © denote U.S. Trademarks.

iPhone and iPod touch are registered trademarks of Apple inc. The App Store is a service mark of Apple Inc.