



CAUTION:

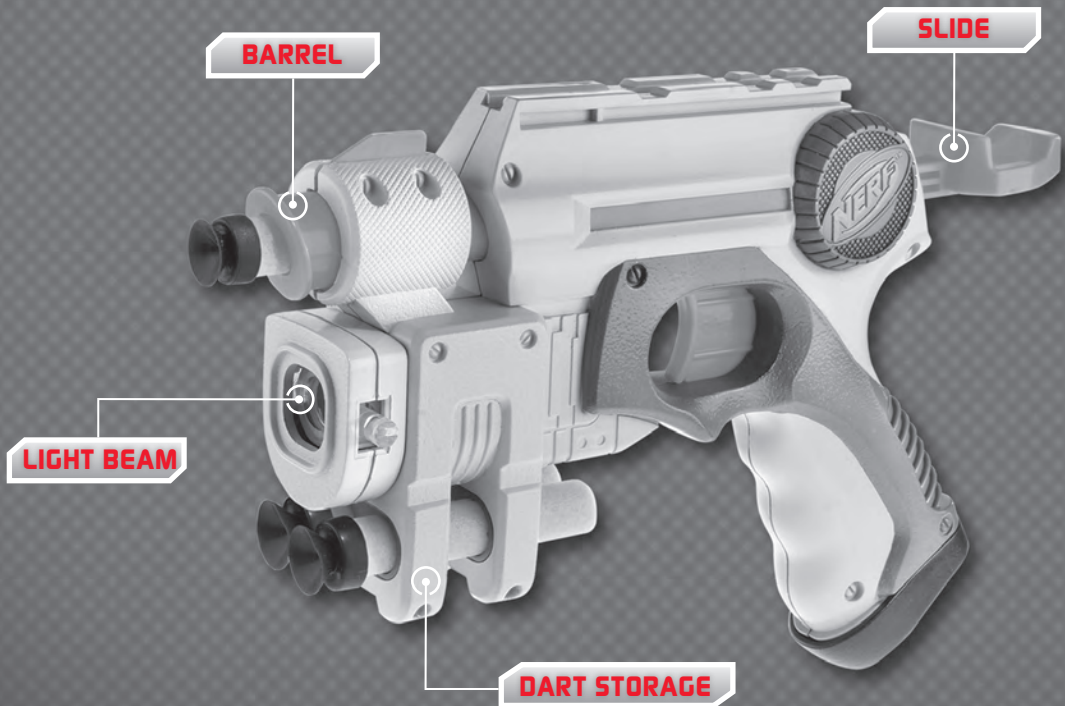
Do not aim at eyes or face. To Avoid Injury: Use only darts designed for this product. Do not modify darts or dart blasters.

AGES 6+



NITE FINDER EX-3[®]

Be sure to read and follow all instructions carefully before using this product.



 **x2** 1.5VAA or R6 size
NOT INCLUDED

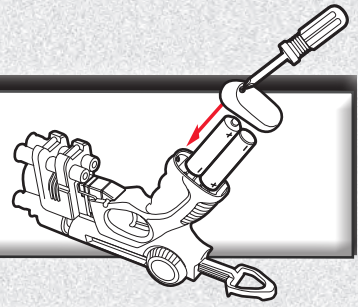
BATTERIES REQUIRED

Alkaline batteries recommended. Phillips/cross head screwdriver (not included) needed to insert batteries.

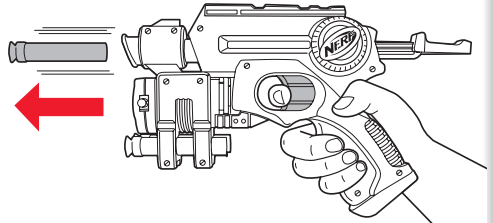
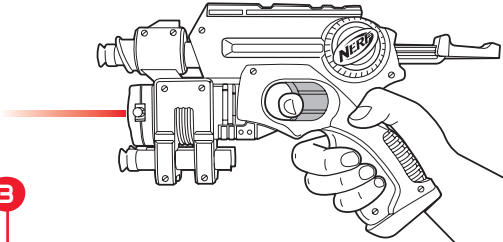
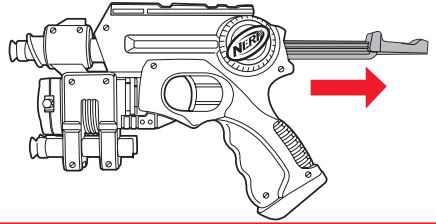
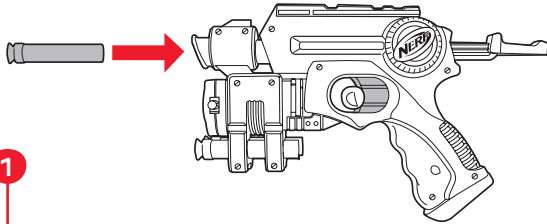
NOTE: Accessories from other N-STRIKE blasters (sold separately) may work with the tactical rail.

INSERTING THE BATTERIES

1. Loosen screw in **BATTERY DOOR**.
2. Insert fresh 2 x 1.5V "AA" or R6 size batteries (not included). Alkaline batteries recommended.
3. Replace door and tighten screw.



USING THE BLASTER



Pull **TRIGGER** about halfway to see the **LIGHT BEAM**. This works best in low-light conditions.

IMPORTANT: BATTERY INFORMATION



CAUTION:

1. Always follow the instructions carefully. Use only batteries specified and be sure to insert them correctly by matching the + and - polarity markings.
2. Do not mix old batteries and new batteries or standard (carbon-zinc) with alkaline batteries.
3. Remove exhausted or dead batteries from the product.
4. Remove batteries if product is not to be played with for a long time.
5. Do not short-circuit the supply terminals.
6. Should this product cause, or be affected by, local electrical interference, move it away from other electrical equipment. Reset (switching off and back on again or removing and re-inserting batteries) if necessary.
7. **RECHARGEABLE BATTERIES:** Do not mix these with any other types of batteries. Always remove from the product before recharging. Recharge batteries under adult supervision. **DO NOT RECHARGE OTHER TYPES OF BATTERIES.**



Product and colors may vary.
© 2009 Hasbro. All Rights Reserved.
TM & ® denote U.S. Trademarks.
U.S. Pat. No. 5529050.

614960802 P/N 7081570000

NERF.COM
FOR NEW PRODUCTS AND OFFERS
Questions? Call: 1-800-327-8264