

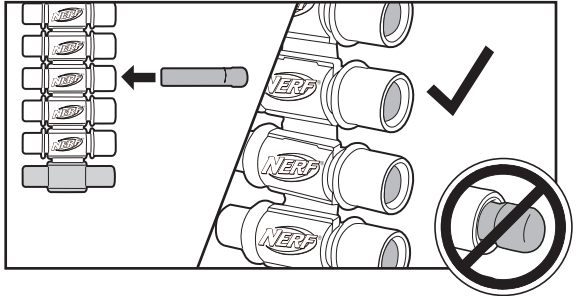


# N-STRIKE VULCAN EBF-25™

For best results and to get the best play experience with your VULCAN EBF-25 blaster, please follow the enclosed instructions. Here are some additional tips.

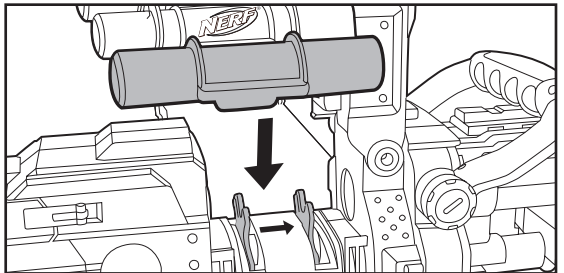
### When loading darts into the ammo belt:

- Always insert darts fully into dart holders; press darts in so no part of the dart tip is exposed.



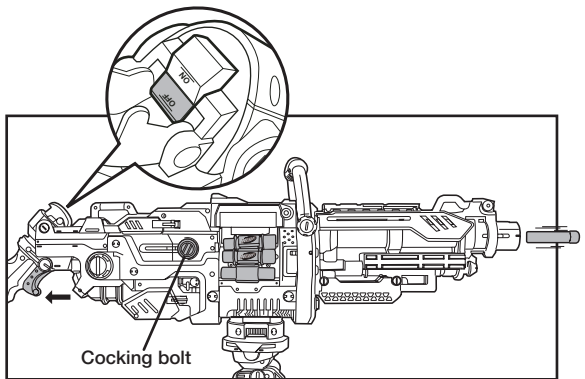
### When loading the ammo belt:

- Always load dummy cartridge into blaster first. The open ends of the dart holders should face forward and the NERF logos should face up. If belt is loaded upside down (with NERF logos facing down), blaster may jam.
- Always use the ammo box to hold the ammo belt; if your batteries aren't fresh, the motor may not have enough power to pull a loosely hanging belt.



### When blaster is turned on:

- DO NOT use the cocking bolt; this is for single shot (power off) mode only and will jam the blaster if used in auto mode.



NOTE: If you see a white piston sticking out behind where the belt sits on the gear, pull the cocking bolt back slightly until the piston retracts.



© 2009 Hasbro. All Rights Reserved.  
TM & ® denote U.S. Trademarks.  
U.S. Pat. Nos. 5529050, 6083127 and Patent Pending.  
668570900 Asst. P/N 6925240000

**NERF.COM**  
FOR NEW PRODUCTS AND OFFERS  
Questions? Call: 1-800-327-8264