



AGES 6+

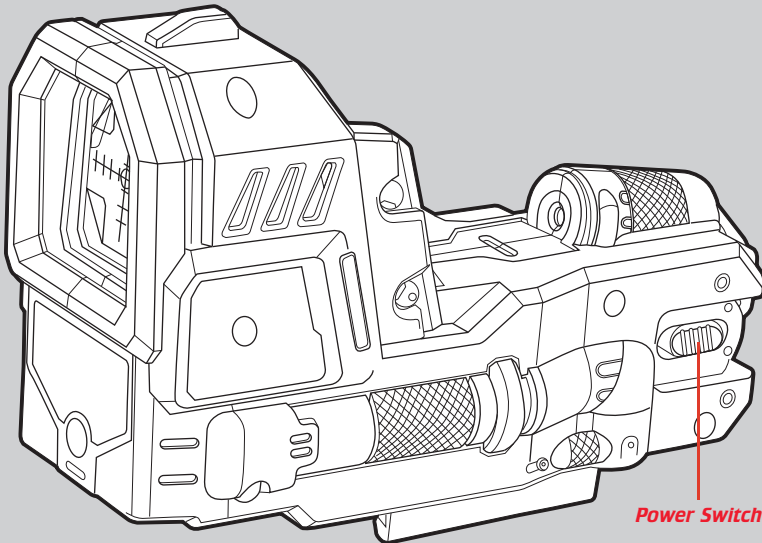
**N-STRIKE MISSION KIT™  
PINPOINT SIGHT™**

**CAUTION:** Do not aim at eyes or face.  
**TO AVOID INJURY:** Do not modify darts or dart blaster.

**NOTE:** Not for play in complete darkness. Know your surroundings and clear the area of obstructions before each use.

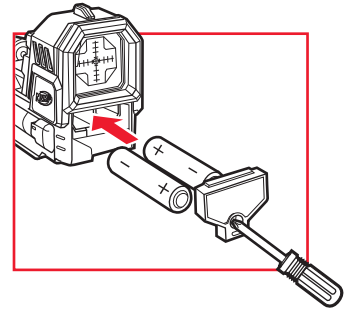
**x2 BATTERIES REQUIRED**  
1.5V AAA or R03 size  
**NOT INCLUDED** | Alkaline batteries recommended. Phillips/cross head screwdriver (not included) needed to insert batteries.

**N-STRIKE MISSION KIT™ PINPOINT SIGHT™**



## TO INSTALL BATTERIES:

Use a Phillips/cross head screwdriver (not included) to loosen screw in battery compartment door (screw remains attached to door). Remove door. Insert 2 x 1.5V "AAA" or R03 size batteries. Alkaline batteries recommended. Replace door and tighten screw.



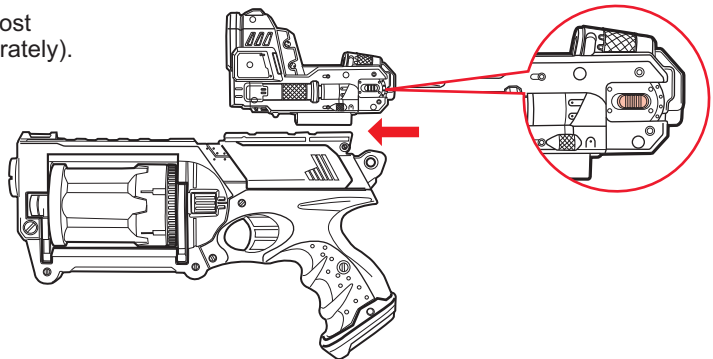
## IMPORTANT: BATTERY INFORMATION

### ⚠ CAUTION:

1. As with all small batteries, the batteries used with this toy should be kept away from small children who still put things in their mouths. If they are swallowed, promptly see a doctor and have the doctor phone (202) 625-3333 collect. If you reside outside the United States, have the doctor call your local poison control center.
2. Always follow the instructions carefully. Use only batteries specified and be sure to insert them correctly by matching the + and - polarity markings.
3. Do not mix old batteries and new batteries or standard (carbon-zinc) with alkaline batteries.
4. Remove exhausted or dead batteries from the product.
5. Remove batteries if product is not to be played with for a long time.
6. Do not short-circuit the supply terminals.
7. Should this product cause, or be affected by, local electrical interference, move it away from other electrical equipment. Reset (switching off and back on again or removing and re-inserting batteries) if necessary.
8. **RECHARGEABLE BATTERIES:** Do not mix these with any other types of batteries. Always remove from the product before recharging. Recharge batteries under adult supervision. **DO NOT RECHARGE OTHER TYPES OF BATTERIES.**

## USING THE N-STRIKE MISSION KIT™ PINPOINT SIGHT™

1. Snap onto the Tactical Rail of most N-STRIKE® blasters (sold separately).
2. Slide power switch to the On position.



Product and colors may vary.  
© 2009 Hasbro. All Rights Reserved.  
TM & © denote U.S. Trademarks.  
92518/649150904 Asst.  
PN 6951850000



**NERF.COM**  
FOR NEW PRODUCTS AND OFFERS  
Questions? Call: 1-800-327-8264