

123

SESAME STREET

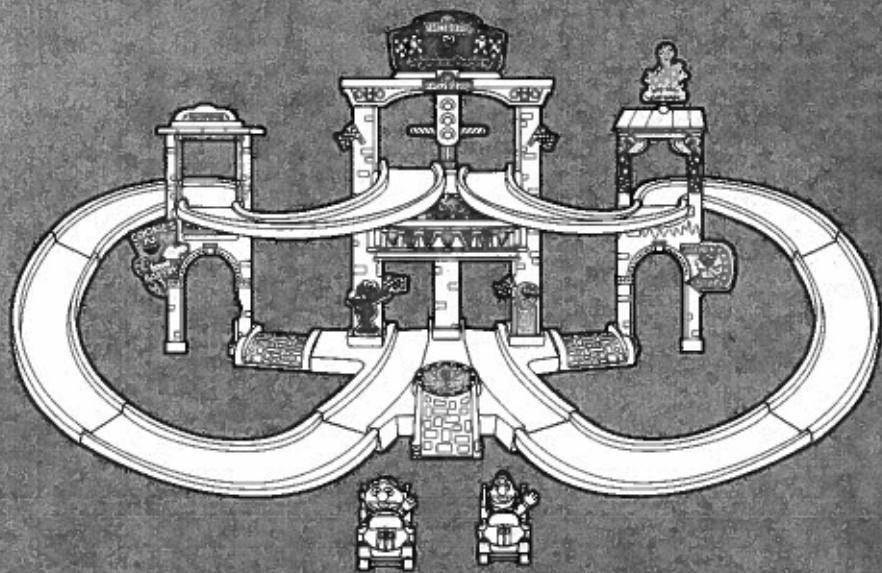
OVER 18M - 4Y

Adult assembly required.
No tools! Just snaps together!

Come 'n Race

Sesame Street Speedway

INCLUDES: Sesame Street Speedway (19 pieces), sticker sheet and 2 Sesame Street Racers™ mini vehicles.



NOTE TO THE CONSUMER: This toy is packaged in TRY ME mode. When you bring the toy home, activate its full range of features by moving the ON/TRY ME switch to the ON position, then follow instructions for PLAY mode.



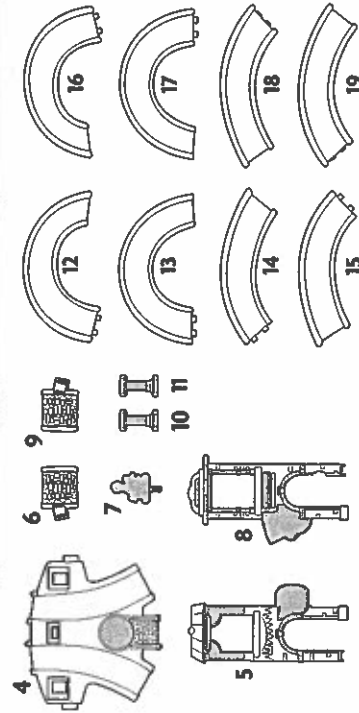
**X2 1.5V AA
ALKALINE
BATTERIES
REQUIRED**
DEMO BATTERIES
INCLUDED

PLAYSKOOL

**IMPORTANT! PLEASE READ INSTRUCTIONS
CAREFULLY TO ENSURE CORRECT ASSEMBLY.**

ASSEMBLY - PARTS AND INSTRUCTIONS

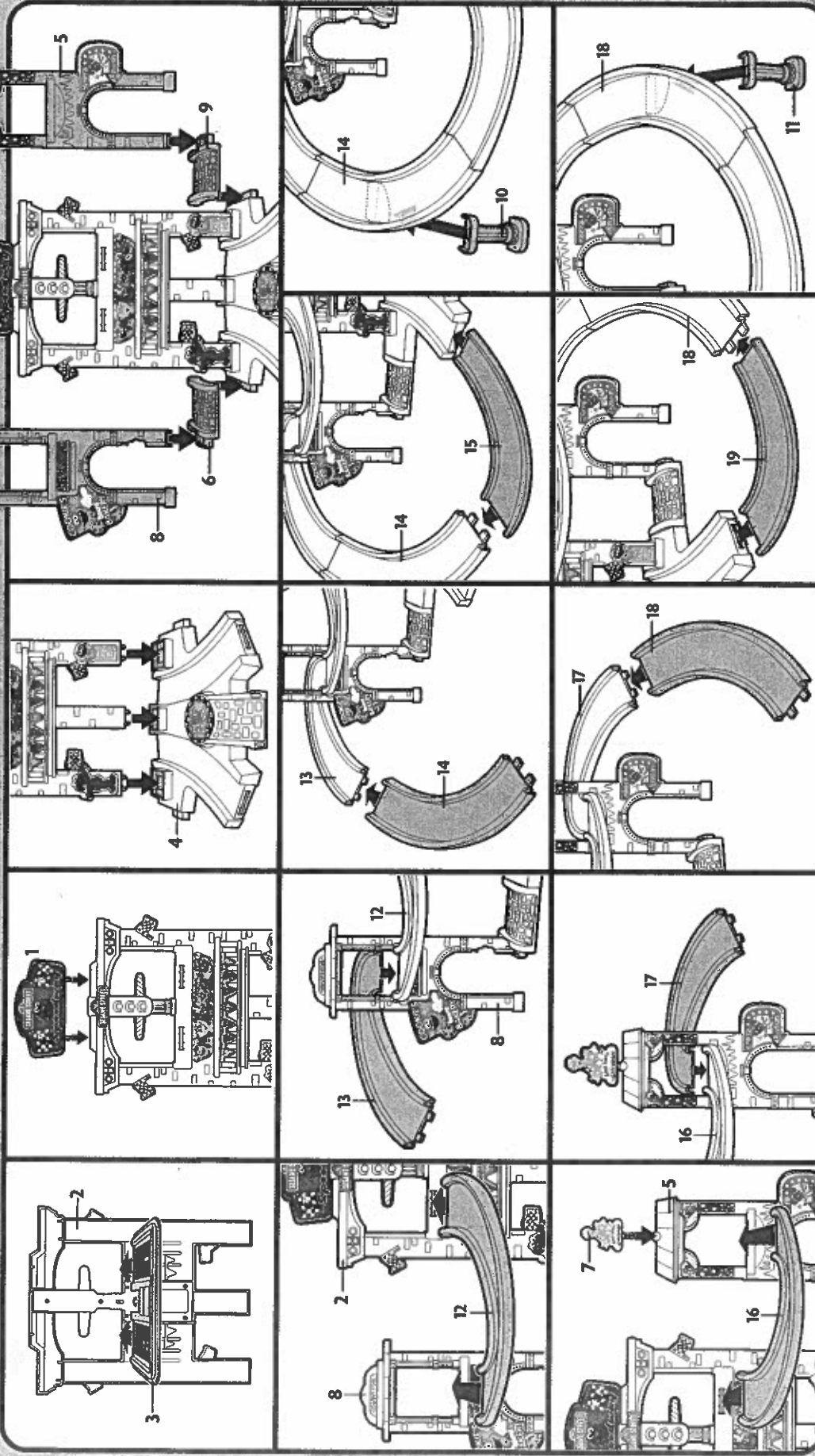
1. Sesame Street Speedway sign (sticker # 1)
2. Center tower (stickers # 2, 3, 9, 10 and 14)
3. Starting platform
4. Center tower base (sticker # 13)
5. Right tower (stickers # 5, 11 and 12)
6. Pass-thru ramp - left
7. Bird Bath Car Wash sign (sticker # 6)
8. Left tower (stickers # 4, 7 and 8)
9. Pass-thru ramp - right
10. & 11. Support pillars (interchangeable)
12. - 15. Racing track - left (4 pieces)
16. - 19. Racing track - right (4 pieces)



APPLYING STICKERS!
Apply numbered stickers to designated areas to get your Sesame Street Speedway ready for racing action!

NOTE: Do not apply stickers to racing surfaces.

Assemble as shown. To ensure secure assembly, each piece should click firmly into place. Make sure there are no gaps between parts.



TO PLAY

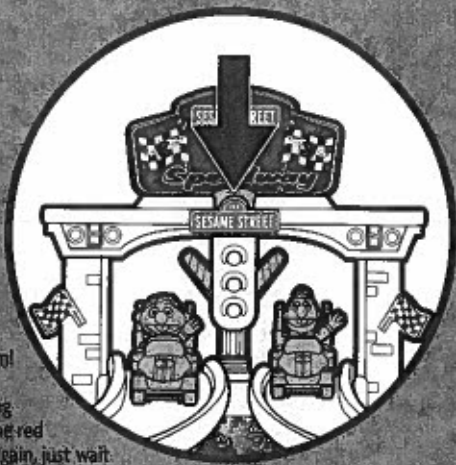
Little speedsters can race with friends on the Sesame Street Speedway!

Place cars on the starting platform, then press red button to get the racing fun started!

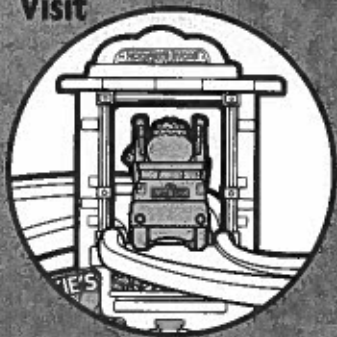
Pressing the red button activates lights, racing sound effects, fun phrases and the Elmo Speedway Song!

The Elmo Speedway Song is also activated when you place a Sesame Street Racers™ mini vehicle on the starting platform!

NOTE: The Elmo Speedway Song plays with each first press of the red button only. To hear the song again, just wait approximately 20 seconds for the Speedway to enter SLEEP MODE, then press and hold the red button for 2 seconds.



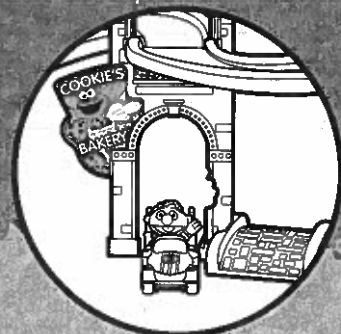
Visit



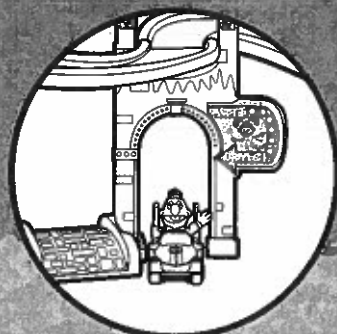
Hooper's Store



Bird Bath Car Wash



Cookie's Bakery



Abby's Drive-In

IMPORTANT: BATTERY INFORMATION

! CAUTION:

1. TO AVOID BATTERY LEAKAGE
 - a. Always follow the instructions carefully. Use only batteries specified and be sure to insert them correctly by matching the + and - polarity markings.
 - b. Do not mix old batteries and new batteries or standard (carbon-zinc) with alkaline batteries.
 - c. Remove exhausted or dead batteries from the product.
 - d. Remove batteries if product is not to be played with for a long time.
 - e. Do not short-circuit the supply terminals.
 - f. RECHARGEABLE BATTERIES: Do not mix these with any other types of batteries. Always remove from the product before recharging. Recharge batteries under adult supervision. DO NOT RECHARGE OTHER TYPES OF BATTERIES.
2. Should this product cause, or be affected by, local electrical interference, move it away from other electrical equipment. Reset (switching off and back on again or removing and re-inserting batteries) if necessary.

FCC STATEMENT

This device complies with Part 15 of the FCC Rules. Operation is subject to the following two conditions: (1) This device may not cause harmful interference, and (2) this device must accept any interference received, including interference that may cause undesired operation.

NOTE: This equipment has been tested and found to comply with the limits for a Class B digital device, pursuant to Part 15 of the FCC Rules. These limits are designed to provide reasonable protection against harmful interference in a residential installation. This equipment generates, uses and can radiate radio frequency energy, and if not installed and used in accordance with the instructions, may cause harmful interference to radio communications. However, there is no guarantee that interference will not occur in a particular installation. If this equipment does cause harmful interference to radio or television reception, which can be determined by turning the equipment off and on, the user is encouraged to try to correct the interference by one or more of the following measures:

- Repoint or relocate the receiving antenna.
- Increase the separation between the equipment and receiver.
- Consult the dealer or an experienced radio/TV technician for help.

CAUTION: Changes or modifications to this unit not expressly approved by the party responsible for compliance could void the user's authority to operate the equipment.

Questions? Call 1-800-327-8264

A0333

P/N 7261090000

Learn and play at
SesameStreet.org



Sesame Street® and associated characters, trademarks and design elements are owned and licensed by Sesame Workshop. © 2012 Sesame Workshop. All rights reserved.

Product and colors may vary. Retain these instructions for future reference. ® and/or TM® & © 2012 Hasbro, Pawtucket, RI 02861-1059 USA. All Rights

ELMO SPEEDWAY SONG LYRICS

Come and join Elmo at the speedway,
Hear the engines roar,
Just watch as the cars go,
Zoom, zoom, zoom and a vroom, vroom, vroom.
At the speedway today,
The cars will go zoom, zoom, zoom and a vroom, vroom, vroom.
At the speedway today...
Come on!

SLEEP MODE

After 20 seconds of inactivity, the Sesame Street Speedway enters SLEEP MODE. To reactivate PLAY MODE, just press the red button or place Sesame Street Racers™ mini-vehicle/s on the racing platform.

TROUBLESHOOTING

If the Sesame Street Speedway does not light up or make sounds, it may be time to change the batteries.

REPLACE BATTERIES

Replace batteries with alkaline batteries. Battery compartment is located on the back panel behind the center tower. (see parts list). Use a Phillips/cross head screwdriver (not included) to loosen screw in battery compartment cover (screw remains attached to cover). Remove cover. Remove and discard old batteries. Replace with fresh 2 x 1.5V AA size alkaline batteries. Replace cover and tighten screw.

