

IMPORTANT: BATTERY INFORMATION



1. Always follow the instructions carefully. Use only batteries specified and be sure to insert them correctly by matching the + and - polarity markings.
2. Do not mix old batteries and new batteries or standard (carbon-zinc) with alkaline batteries.
3. Remove exhausted or dead batteries from the product.
4. Remove batteries if product is not to be played with for a long time.
5. Do not short-circuit the supply terminals.
6. Should this product cause, or be affected by, local electrical interference, move it away from other electrical equipment. Reset (switching off and back on again or removing and re-inserting batteries) if necessary.
7. **RECHARGEABLE BATTERIES:** Do not mix these with any other types of batteries. Always remove from the product before recharging. Recharge batteries under adult supervision. **DO NOT RECHARGE OTHER TYPES OF BATTERIES.**

FCC STATEMENT

This device complies with Part 15 of the FCC Rules. Operation is subject to the following two conditions: (1) This device may not cause harmful interference, and (2) this device must accept any interference received, including interference that may cause undesired operation.

NOTE: This equipment has been tested and found to comply with the limits for a Class B digital device, pursuant to Part 15 of the FCC Rules. These limits are designed to provide reasonable protection against harmful interference in a residential installation. This equipment generates, uses and can radiate radio frequency energy, and, if not installed and used in accordance with the instructions, may cause harmful interference to radio communications. However, there is no guarantee that interference will not occur in a particular installation. If this equipment does cause harmful interference to radio or television reception, which can be determined by turning the equipment off and on, the user is encouraged to try to correct the interference by one or more of the following measures:

- Reorient or relocate the receiving antenna.
- Increase the separation between the equipment and receiver.
- Consult the dealer or an experienced radio/TV technician for help.

CAUTION: Changes or modifications to this unit not expressly approved by the party responsible for compliance could void the user's authority to operate the equipment.

Learn and play at
SesameStreet.org

35665 PN 7186830000
Product and colors may vary.

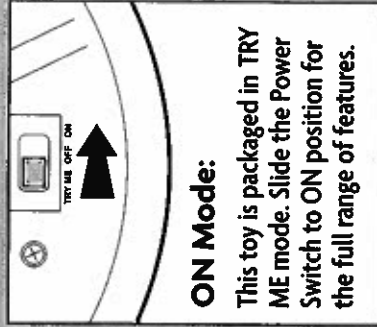


© and/or TM & © 2011 Hasbro. All Rights Reserved. TM & © denote U.S. trademarks.
Sesame Workshop®, Sesame Street® and associated characters, trademarks and design elements are owned and licensed by Sesame Workshop. © 2011 Sesame Workshop.
All Rights Reserved.

PLAYSKOOL

123
SESAME STREET

Sit'n Spin®

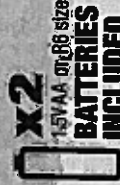


ADULT ASSEMBLY REQUIRED.

Phillips/cross head screwdriver (not included) needed for assembly.

This product contains #10 (3/4") and 2 x #6 (1/2") Phillips head sheet metal screws. Replacement screws, if needed, are available at most hardware stores.
Maximum weight 42 lbs. (19 Kgs.)

Includes: base, center post (2 halves), 3 screws, turn handle and instructions.



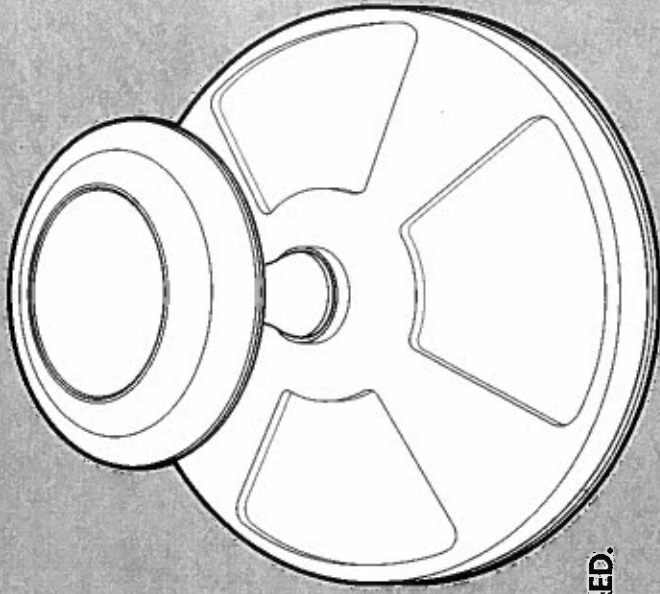
Replace with 2 x 1.5V "AA" or R6 size batteries.
Alkaline batteries recommended.
Phillips/cross head screwdriver (not included) needed to replace batteries.

▲ WARNING:

Product must be assembled by an adult. This product contains small parts which are necessary for assembly. Prior to and during assembly of this product, keep small parts out of children's reach. Small parts pose a choking hazard to children under 3 years.

35665

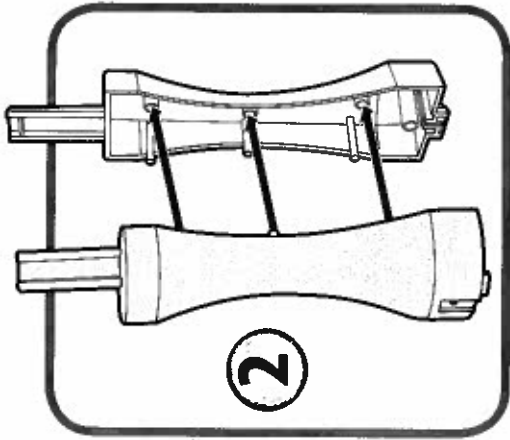
OVER 1 1/2 - 5 1/2 Y



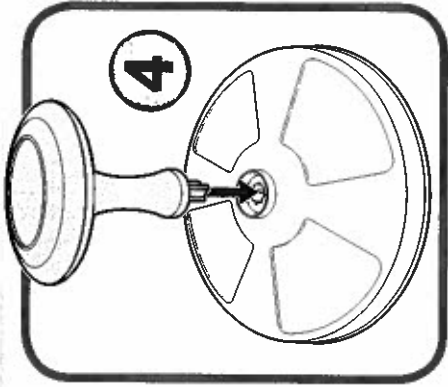
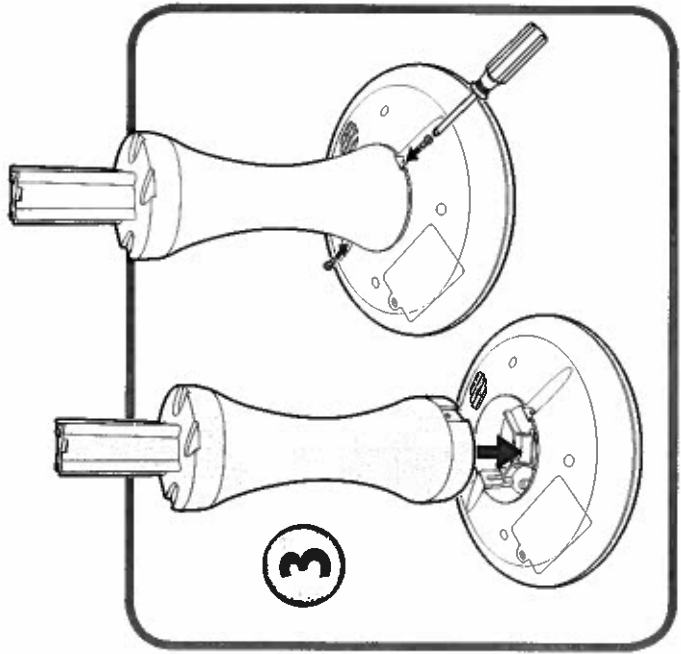
ASSEMBLY

NOTE: For proper assembly, please follow the steps in the order indicated.

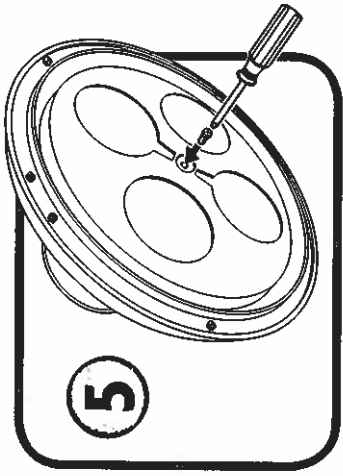
1. Remove the 3 screws taped to the top of the base and assemble.
2. Connect the right side and left side post by snapping the two pieces together.



3. Use a Phillips cross head screwdriver (not included) and the two 1/2" screws to connect the turn handle to the top of the center post.

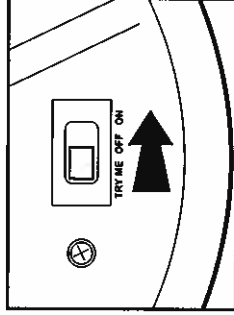


4. Place the center post/turn handle into the base.

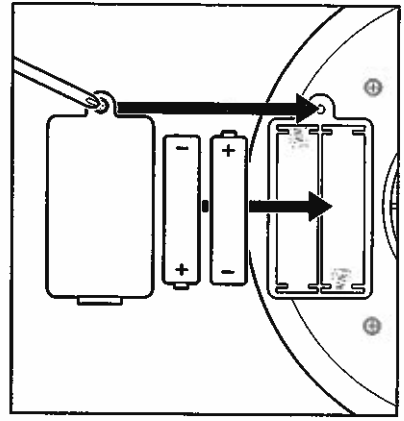


5. Flip the base over and use a Phillips crosshead screwdriver and 3/4" screw (included) to connect the center post turn handle.

NOTE: Check to be sure that all assembled parts are securely attached before using the toy.



ON/OFF SWITCH
Use the TRY ME/OFF/ON switch to turn the music and phrases on or off.



TO REPLACE BATTERIES:

1. Use a Phillips/cross head screwdriver to loosen screw in battery compartment door (screw remains attached to door).
2. Remove door. Remove and discard old batteries. Insert 2 x fresh 1.5V "AA" or R6 size batteries. Alkaline batteries recommended.
3. Replace door and tighten screw.