

SPIDER-MAN 3

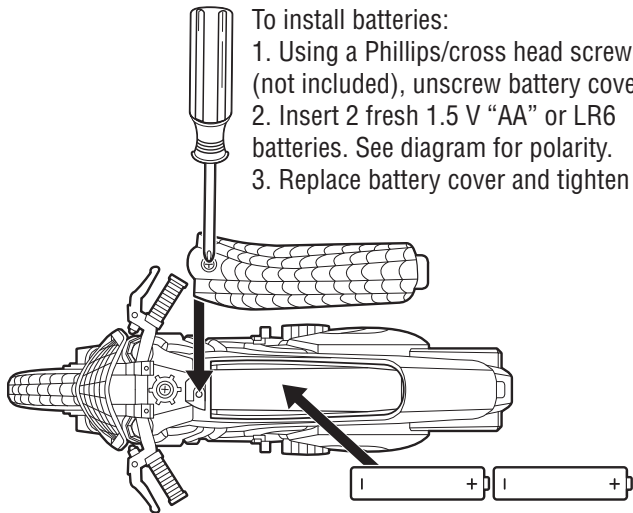
x2 ALKALINE BATTERIES
1.5V AA/LR6 size
NOT INCLUDED REQUIRED

Bump & Go SPIDER-MAN Sand Rider

Phillips/cross head screwdriver (not included)
needed to insert batteries.

To install batteries:

1. Using a Phillips/cross head screwdriver (not included), unscrew battery cover.
2. Insert 2 fresh 1.5 V "AA" or LR6 batteries. See diagram for polarity.
3. Replace battery cover and tighten screw.



www.hasbro.com/spiderman

Questions? Call: 1-800-327-8264



MARVEL



Not suitable for children
under 3 years because of
small parts — choking hazard.

CAUTION:

Hair entanglement may result if child's hair comes in contact with moving parts of toy. Adult supervision is required.

AGES 3+
69177/69128 Asst.

IMPORTANT: BATTERY INFORMATION

Please retain this information for future reference. Batteries should be replaced by an adult.

CAUTION: TO AVOID BATTERY LEAKAGE

1. Be sure to insert the batteries correctly and always follow the toy and battery manufacturers' instructions;
2. Do not mix old and new batteries or alkaline, standard (carbon-zinc) or rechargeable (nickel-cadmium) batteries;
3. Always remove weak or dead batteries from the product.

CAUTION:

1. Always follow the instructions carefully. Use only batteries specified and be sure to insert item correctly by matching the + and - polarity markings.
2. Do not mix old batteries and new batteries or standard (carbon-zinc) with alkaline batteries.
3. Remove exhausted or dead batteries from the product.
4. Remove batteries if product is not to be played with for a long time.
5. Do not short circuit the supply terminals.
6. Should this product cause, or be affected by, local electrical interference, move it away from other electrical equipment. Reset (switching off and back on again or removing and re-inserting batteries) if necessary.
7. RECHARGEABLE BATTERIES: Do not mix these with any other types of battery. Always remove from the product before recharging. Recharge batteries under adult supervision. **DO NOT RECHARGE OTHER TYPES OF BATTERIES.**

Product and colors may vary.

Spider-Man and all related characters and the distinctive likeness thereof: TM & © 2007 Marvel Characters, Inc. Spider-Man 3, the Movie: TM & © 2007 Columbia Pictures Industries, Inc. All rights reserved.

www.marvel.com

®* and/or TM* and © 2006 Hasbro. All Rights Reserved.

TM & © denote U.S. Trademarks.

P/N: 6655390000