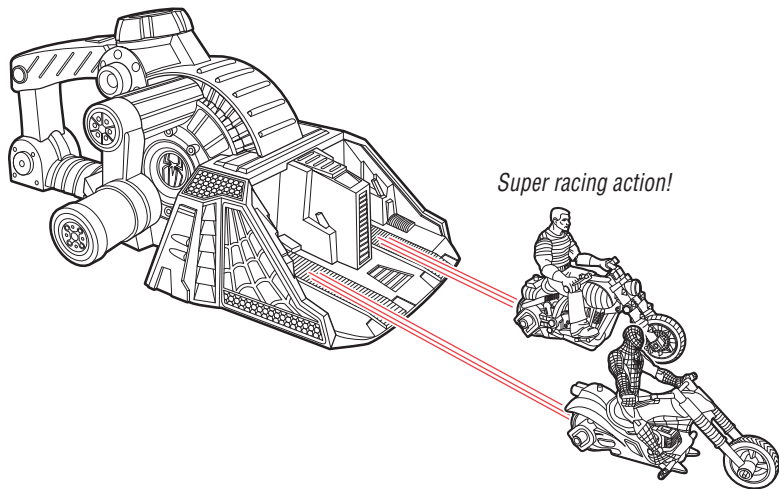


SPIDER-MAN 3

AGES 4+
69193/69129 Asst.

Your WEBWORLD RACERS also work with:

WEBWORLD RACERS FACE-OFF

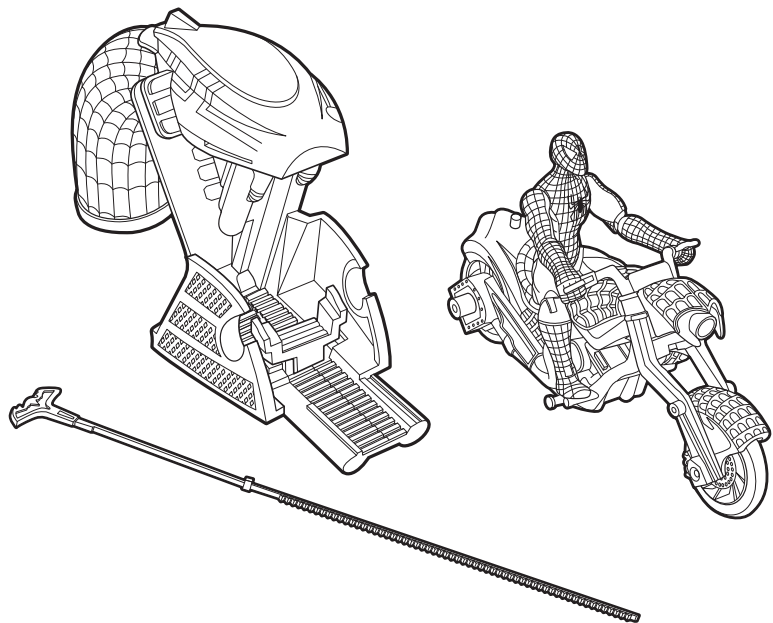


Super racing action!

Sold separately.

SPIDER-MAN®
Street Spider Motorcycle

CAUTION:
Hair entanglement may result if child's hair comes in contact with moving parts of toy. Adult supervision is required.



P/N: 6666840000



Not suitable for children under 3 years because of small parts — choking hazard.

Spider-Man and all related characters and the distinctive likeness thereof: TM & © 2007 Marvel Characters, Inc.

Spider-Man 3, the Movie: TM & © 2007 Columbia Pictures Industries, Inc. All rights reserved.

www.marvel.com

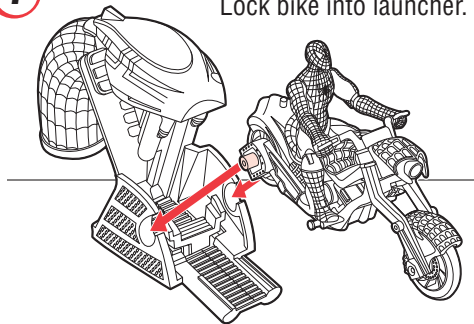
®* and/or TM* & © 2007 Hasbro. All Rights Reserved.

TM & ® denote U.S. Trademarks.



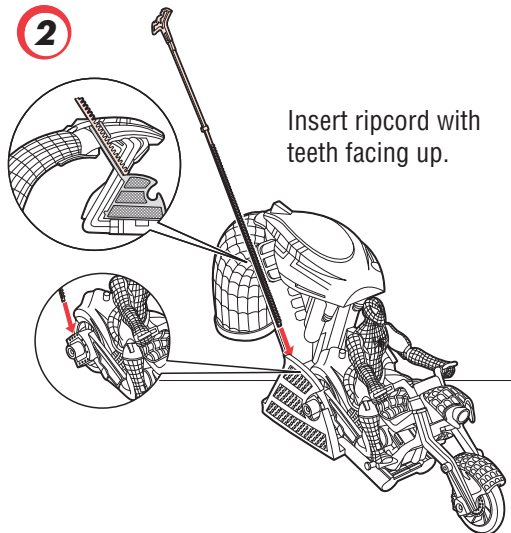
1

Lock bike into launcher.



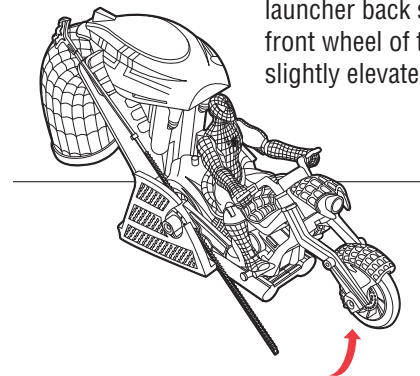
2

Insert ripcord with teeth facing up.



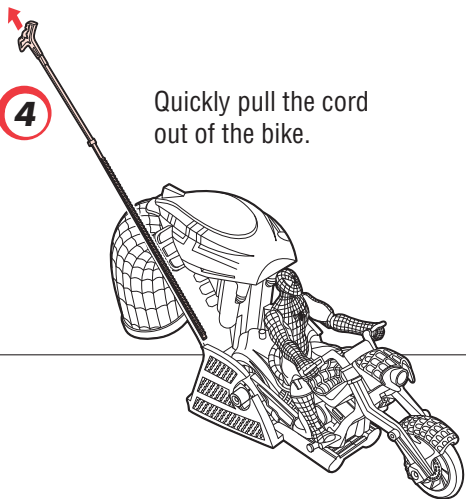
3

Holding the launcher and bike near the floor, tilt the launcher back so that the front wheel of the bike is slightly elevated.



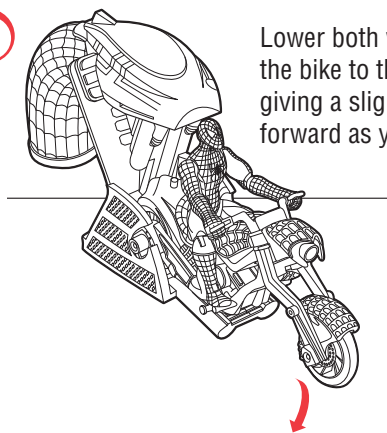
4

Quickly pull the cord out of the bike.



5

Lower both wheels of the bike to the floor, giving a slight push forward as you do so.



The bike will launch and race away!

