

Battle Action
SPIDER-MAN® Triple Blast Hover Jet

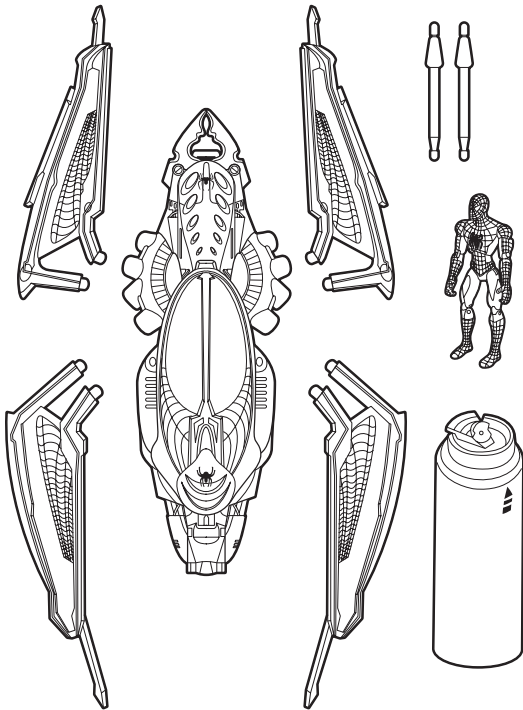
Includes:

- SPIDER-MAN figure
- Hover Jet
- 4 wings
- 1 Web Fluid canister
- 2 missiles

Some assembly required. No tools needed. See instructions.

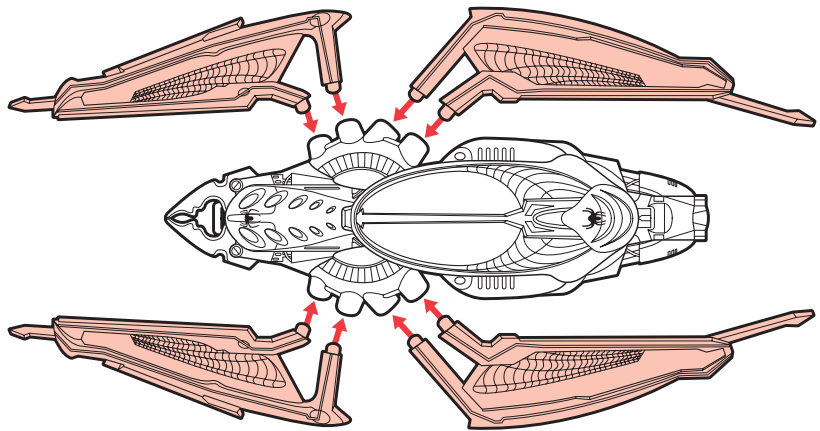
! WARNING: Pressurized container.
Read all instructions before use.

CAUTION: To avoid injury use only clean tap water.
Do not aim at eyes or face.



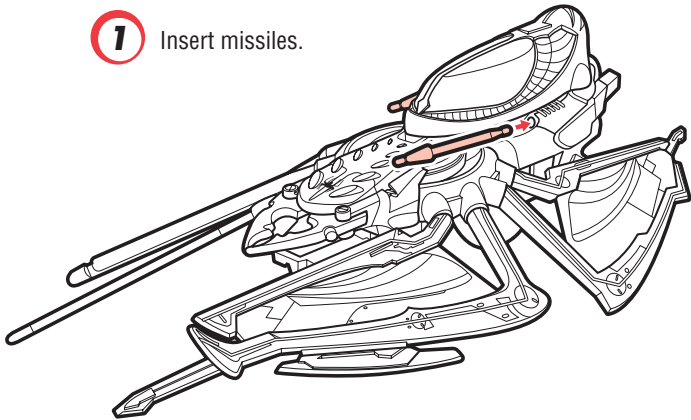
ASSEMBLY INSTRUCTIONS

Snap wings in. Make sure to orient them correctly.

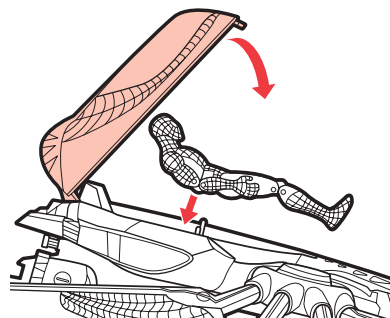
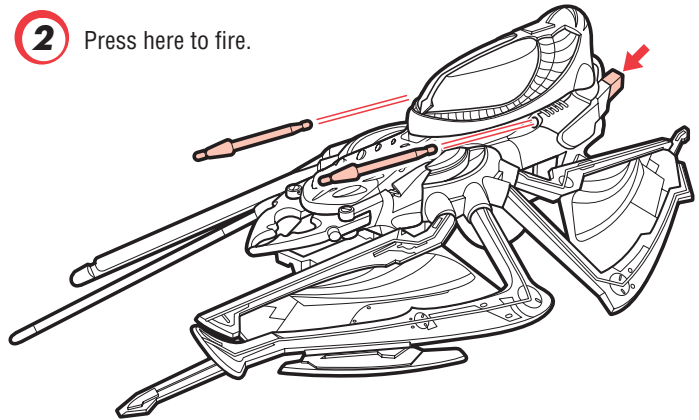


PLAY INSTRUCTIONS

1 Insert missiles.



2 Press here to fire.



SPIDER-MAN
rides in cockpit.

Web Blaster Assembly & Use:

Note: Clear nozzle of any excess string for best performance. For best results aim slightly upwards.

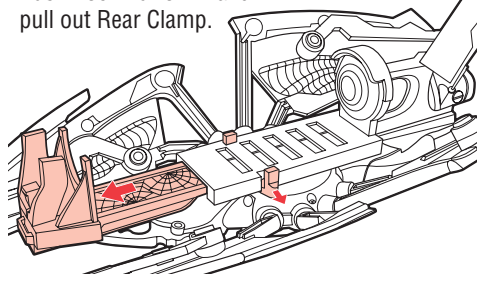
1

Rotate nozzle tab to opposite side of red dot on can.



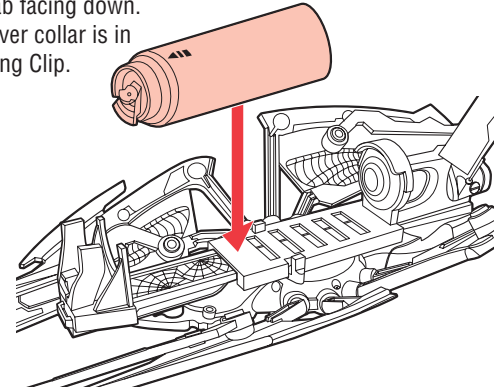
2

Push Lock Button in and pull out Rear Clamp.



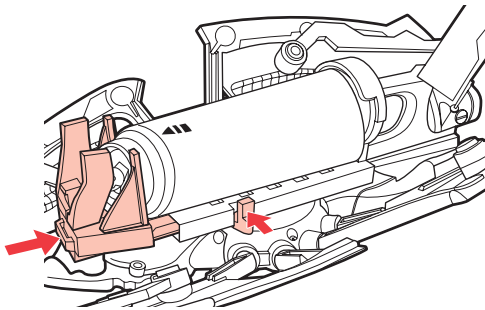
3

Load can into Blaster Housing with nozzle tab facing down. Make sure silver collar is in front of Holding Clip.



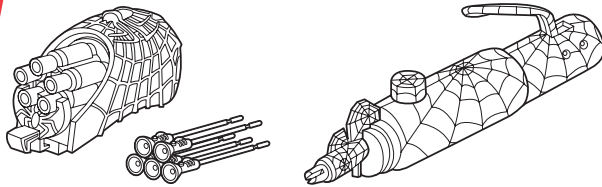
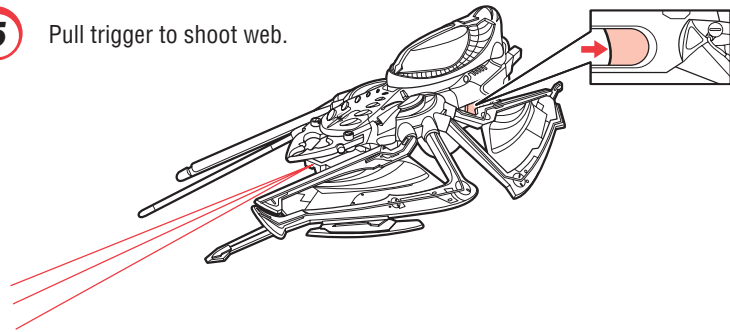
4

Push in Rear Clamp and push Lock Button.



5

Pull trigger to shoot web.



Hover Jet can also use Dart Launcher and Water Canister from the GATLING DART BLASTER & SONIC WEB BLASTER (each sold separately).

! WARNING: Contents Under Pressure.

Do Not Puncture Or Incinerate.

Do Not Expose to Heat or Store at Temperatures above 120° Degrees F / 48 Degrees C.

- Do Not Spray on Open Flame or Any Hot Stoves or Light Bulbs.
- Do Not Leave in Direct Sunlight or Store in a Hot Vehicle.
- Heat Can Cause Can to Burst Violently.
- Do Not Spray in Eyes or Face.
- Do Not Ingest String.

Shake well before using. Can should be used in a horizontal position.

Adult Supervision Required.

Non-Toxic.

Non-Flammable.

Not Recommended for Indoor Use.



! CAUTION:

Do not spray on walls, floors, clothing, furniture or vinyl as string may stain certain types of surfaces and fabrics.
USE ONLY AS DIRECTED.

Ingredients: Water HFC 134a (propellant), Acrylic Resin, Hydrocarbon solvents, Light oil, Pigment.



Product and colors may vary.
Spider-Man and all related characters and the distinctive likeness thereof: TM & © 2007 Marvel Characters, Inc.
Spider-Man 3, the Movie: TM & © 2007 Columbia Pictures Industries, Inc. All rights reserved.
www.marvel.com
®* and/or TM* & © 2006 Hasbro. All Rights Reserved.
TM & ® denote U.S. Trademarks.
www.hasbro.com

P/N: 6663810000