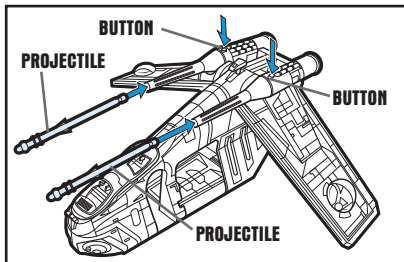
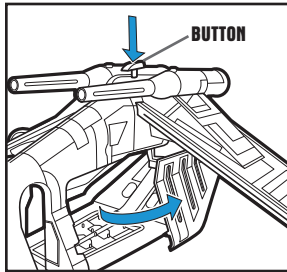


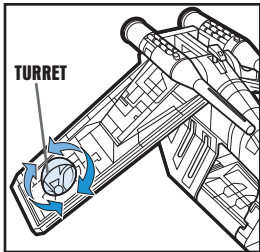
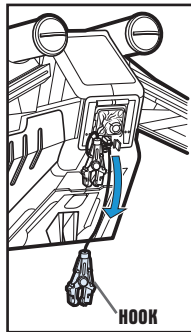
**FEATURES:**

**DOORS:** Press button to open gunship doors.

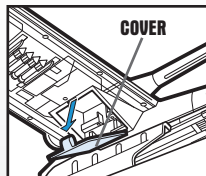


**"LASER" CANNONS:** Insert projectiles into cannons. Press button on each cannon to launch projectiles.

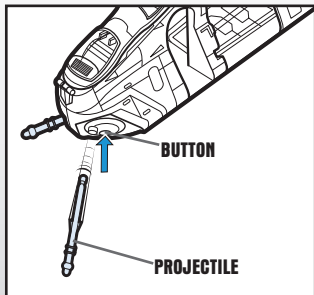
**GRAPPLING HOOK:** Unwind grappling hook to tow other vehicles (vehicles not included).



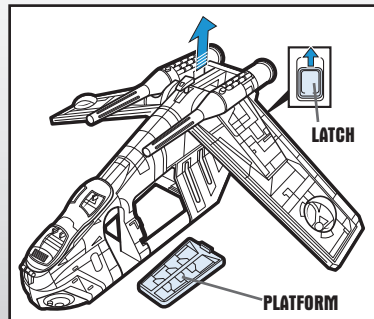
**WING BALL TURRETS:** Rotate turrets.



**STORAGE BAYS:** Covers under wings open to reveal storage bays.



**CHIN GUNS:** Insert projectiles. Press buttons to fire projectiles.



**LANDING BASE:** Place gunship on a landing surface. To deploy troop landing platform, slide latch underneath ship, then lift the gunship straight up.

**WARNING:** AGES 4+  
87862

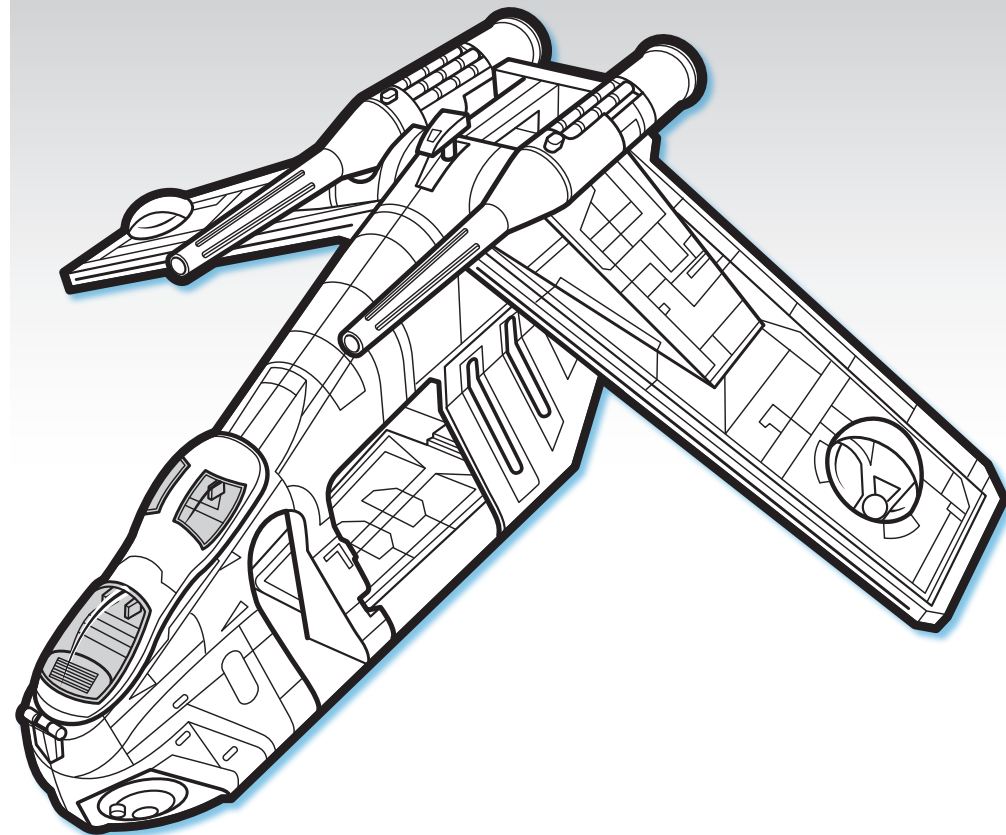
CHOKING HAZARD—Small parts.  
Not for children under 3 years.

**STAR WARS**

**Republic Gunship™**

Assembly required. No tools needed.

Includes ship body, 2 wings, 2 cannons, 2 cannon projectiles, 2 chin gun projectiles, 2 grappling hooks, tail gun, grappling hook string, deployment platform, 8 wing bombs, 4 door bombs, canopy, labels and instructions.



Product and colors may vary.  
© 2008 Lucasfilm Ltd. & © or TM where indicated.  
All rights reserved.  
®\* and/or TM\* & © 2008 Hasbro. All Rights Reserved.  
TM & © denote U.S. Trademarks.

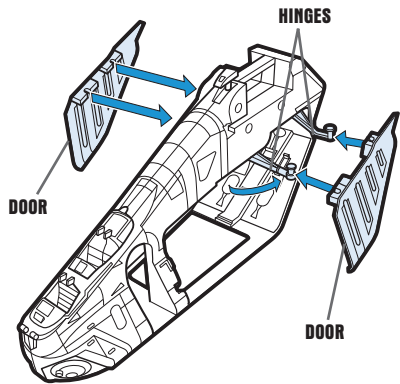


Not suitable for children under 3 years because of small parts — choking hazard.

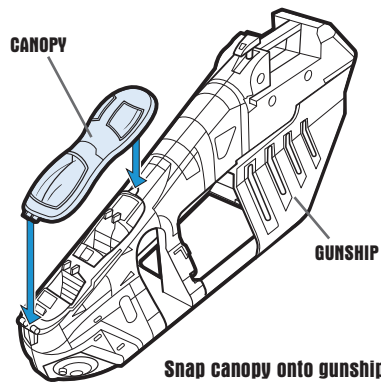
P/N 6829270000



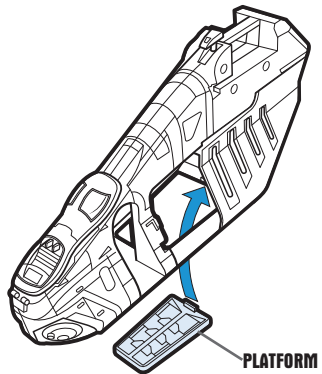
**ASSEMBLY:**



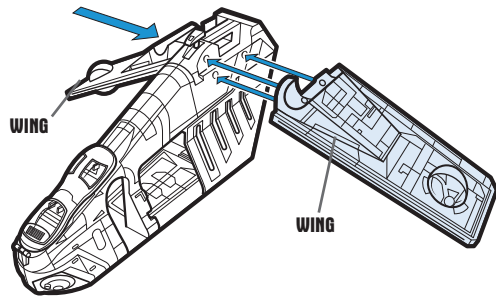
If doors become dis-attached from toy, reattach by snapping knobs on door hinges into slots in doors.



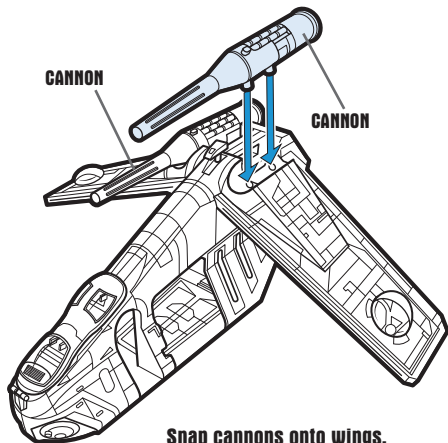
Snap canopy onto gunship.



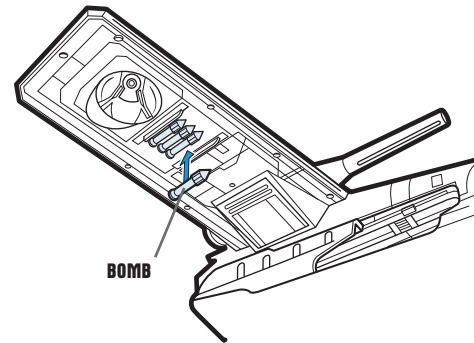
From bottom of ship body, snap deployment platform into base of body.



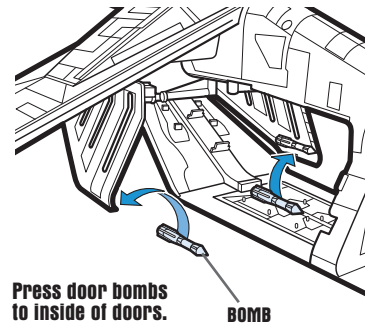
Snap wings onto ship body.



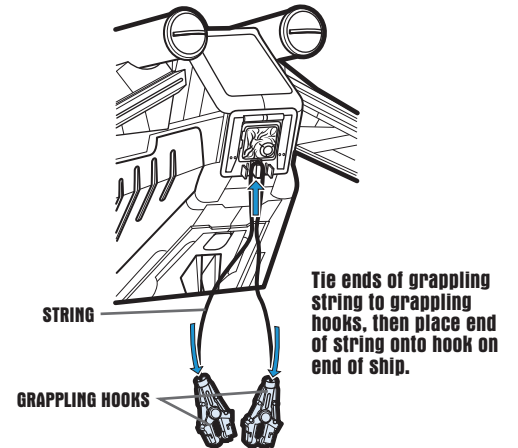
Snap cannons onto wings.



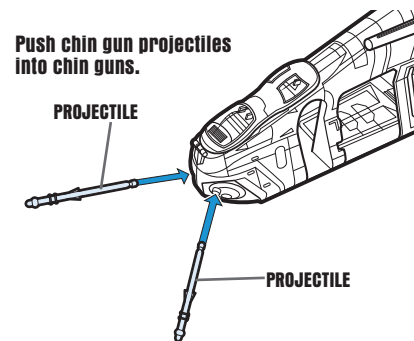
Snap under-wing bombs to bomb holders.



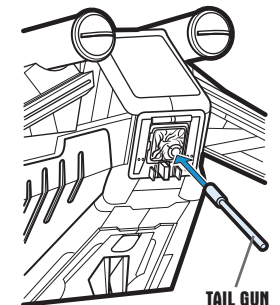
Press door bombs to inside of doors.



Tie ends of grappling string to grappling hooks, then place end of string onto hook on end of ship.



Push chin gun projectiles into chin guns.



Snap tail gun into socket.