

# TRANSFORMERS



**CRANKCASE**  
DECEPTICON



**WARNING:**

CHOKING HAZARD—Small parts.  
Not for children under 3 years.

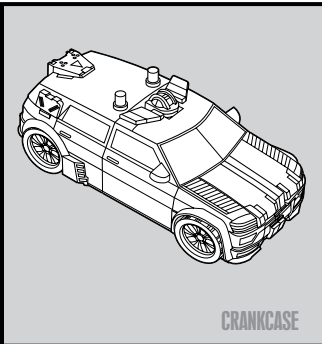
**AGES 5+**

83849/83905 Asst.

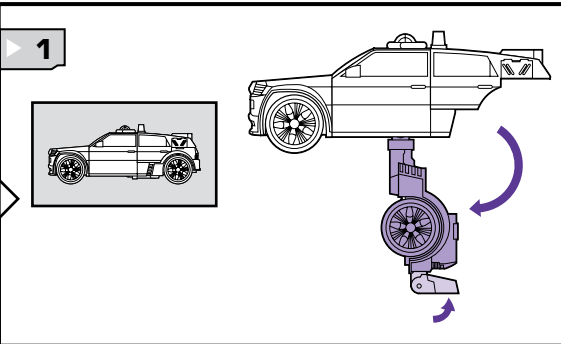
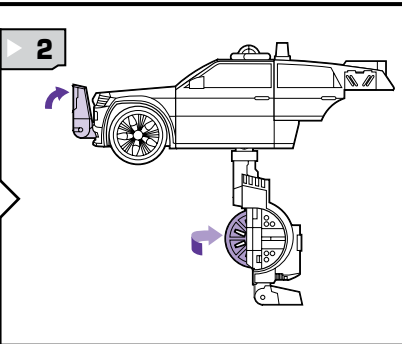
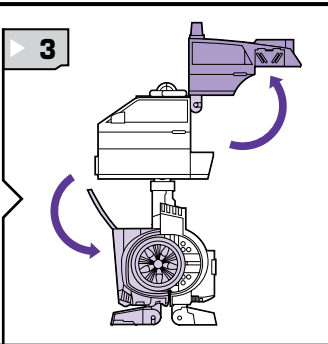
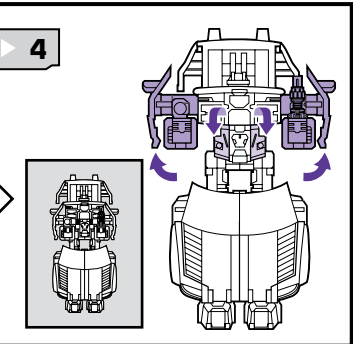
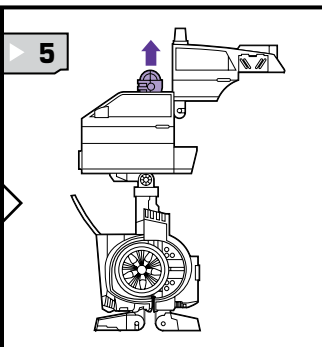
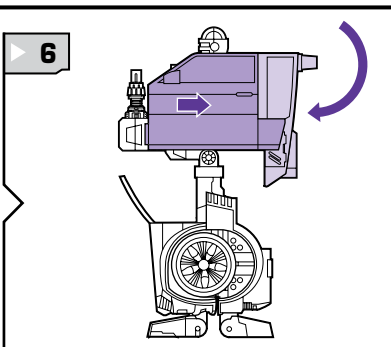
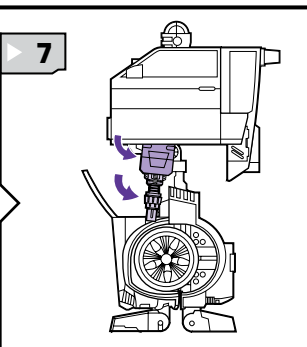
TRANSFORMERS.COM

NOTE: Some parts are made to detach if excessive force is applied and are designed to be reattached if separation occurs. Adult supervision may be necessary for younger children.

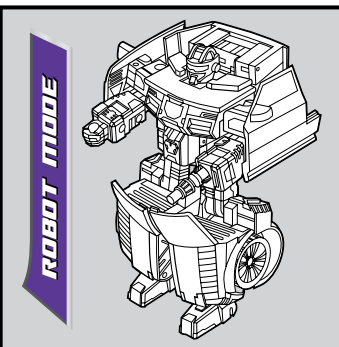
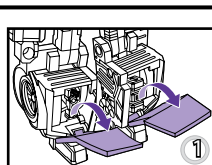
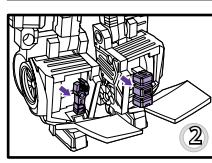
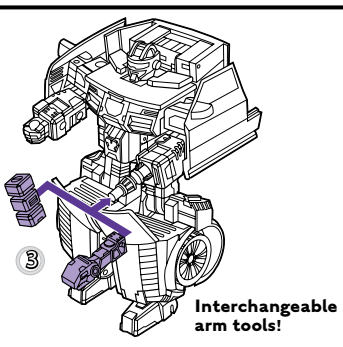
## CHANGING TO ROBOT



**CRANKCASE**

- 
- 
- 
- 
- 
- 
- 

**ROBOT MODE**

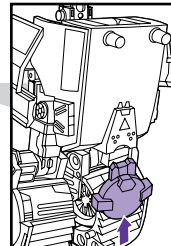
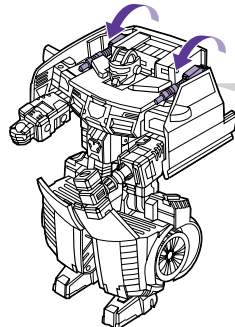





Interchangeable arm tools!

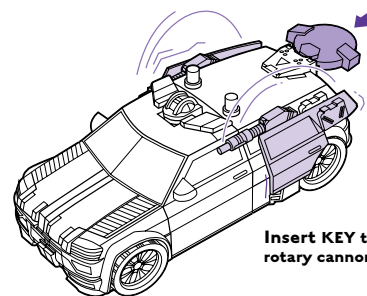


**KEY  
ACTIVATED**

**INSERT KEY TO  
ACTIVATE FEATURES!**



Insert KEY to reveal  
rotary cannons!



Insert KEY to reveal  
rotary cannons!

Reverse order of instructions  
to convert back to vehicle.

P/N 6829230000



**DREAMWORKS  
PICTURES**



© 2008 DreamWorks LLC and Paramount Pictures Corporation  
© 2008 Hasbro. All Rights Reserved.  
TM & © denote U.S. trademarks.  
Manufactured under license from Tomly Company, Ltd.

Some poses may  
require hand support.



Not suitable for children  
under 3 years because of  
small parts – choking hazard.