

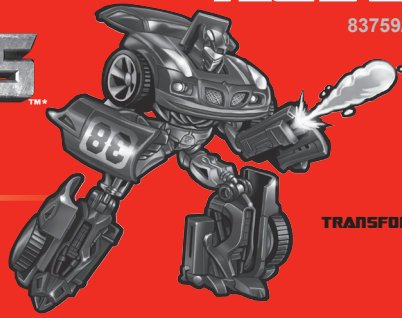
TRANSFORMERS™

AGES 4+

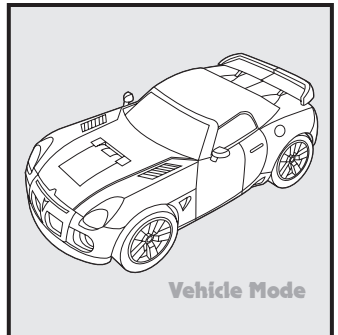
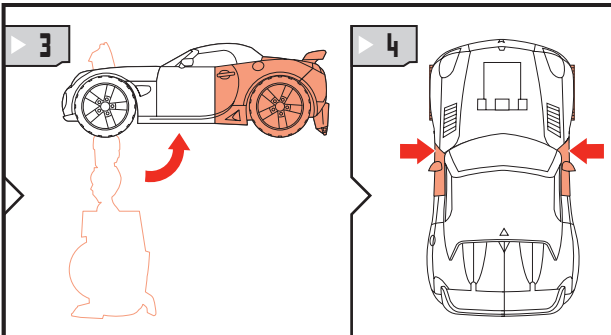
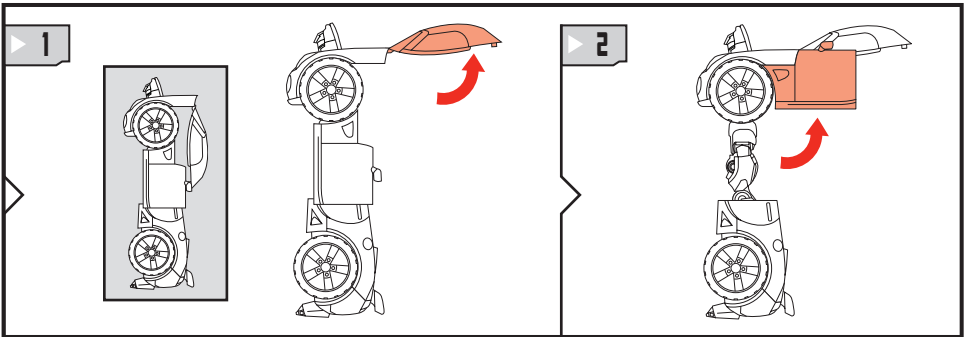
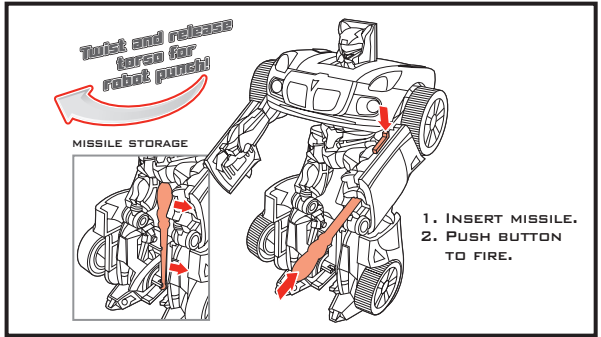
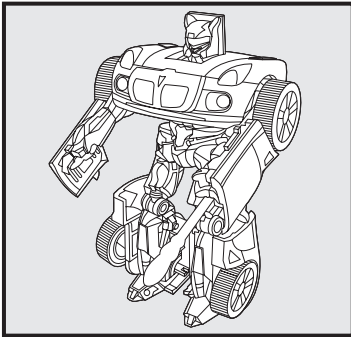
83759/82414 Asst.

Sonic Shock
SMOKESCREEN®

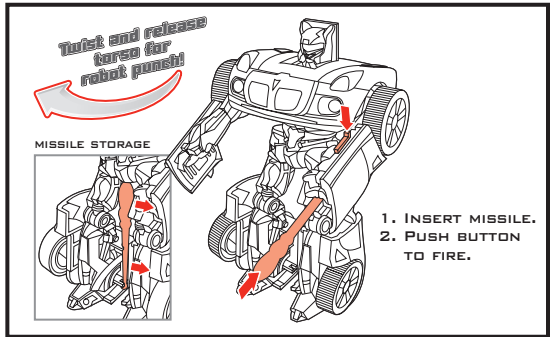
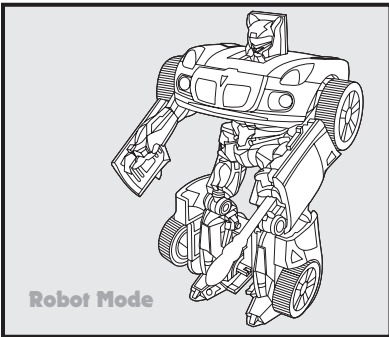
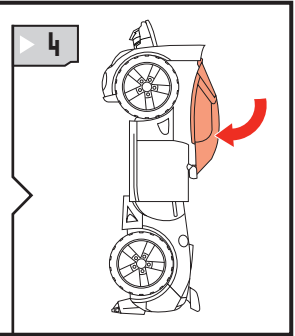
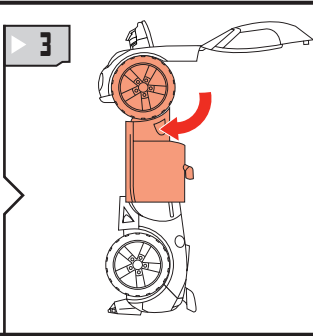
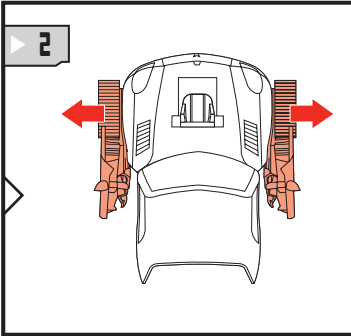
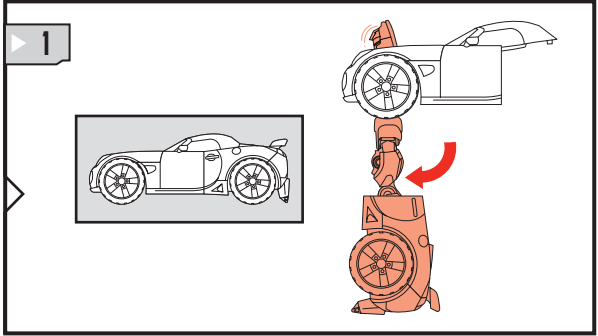
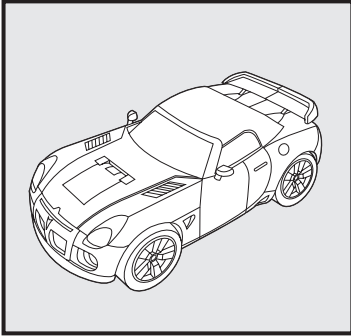
TRANSFORMERS.COM



CHANGING TO VEHICLE



CHANGING TO ROBOT



P/N 6757720000



Pontiac Solstice and all related Emblems and vehicle body designs are General Motors Trademarks used under license to Hasbro, Inc.



Some poses may require hand support.

TRANSFORMERS.COM



© 2007 DreamWorks LLC and Paramount Pictures Corporation
 ® and/or TM® & © 2007 Hasbro. All rights reserved.
 TM & © denote U.S. trademarks.
 Manufactured under license from Tomy Company, Ltd.



Not suitable for children under 3 years because of small parts – choking hazard.