

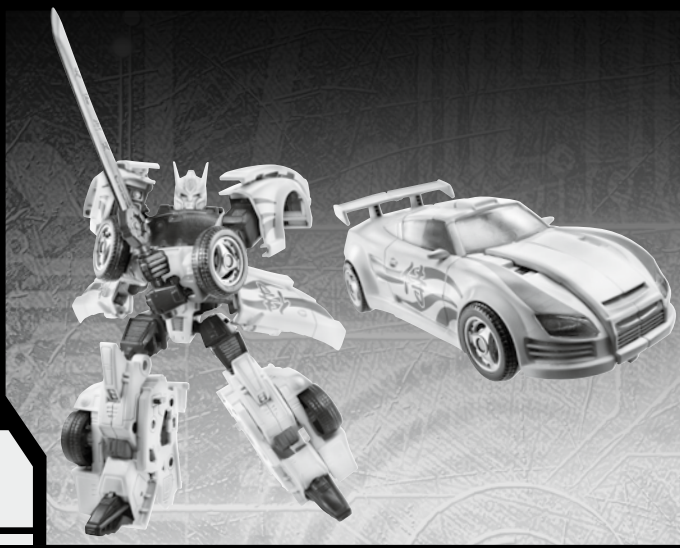
# TRANSFORMERS

## AUTOBOT DRIFT™

LEVEL: 0 1 2 **3** 4 5  
INTERMEDIATE

AUTOBOT™

NOTE: Some parts are made to detach if excessive force is applied and are designed to be reattached if separation occurs. Adult supervision may be necessary for younger children.



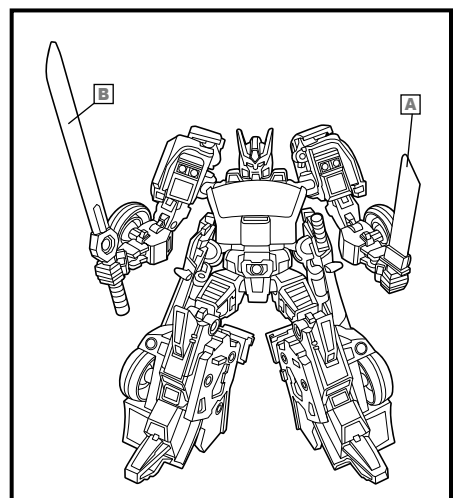
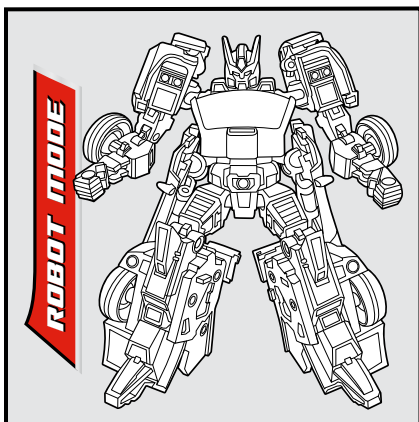
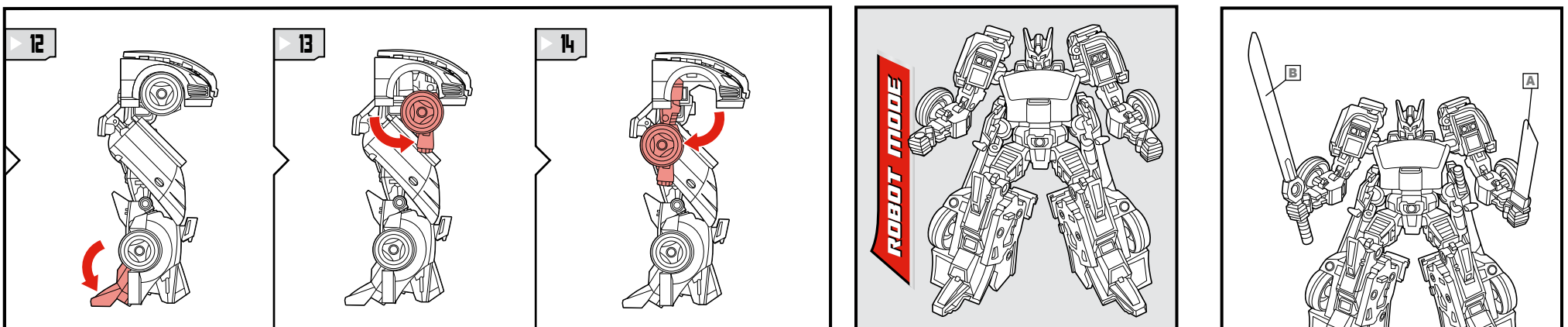
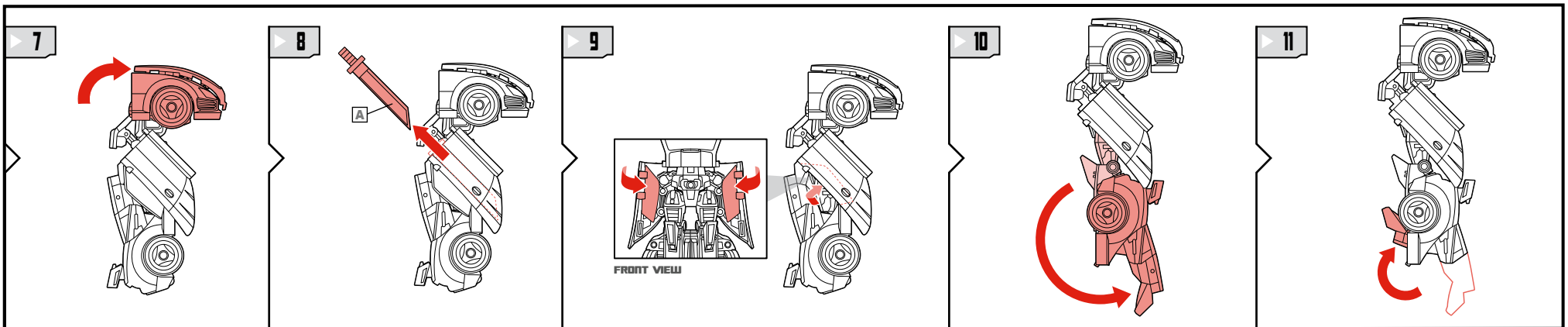
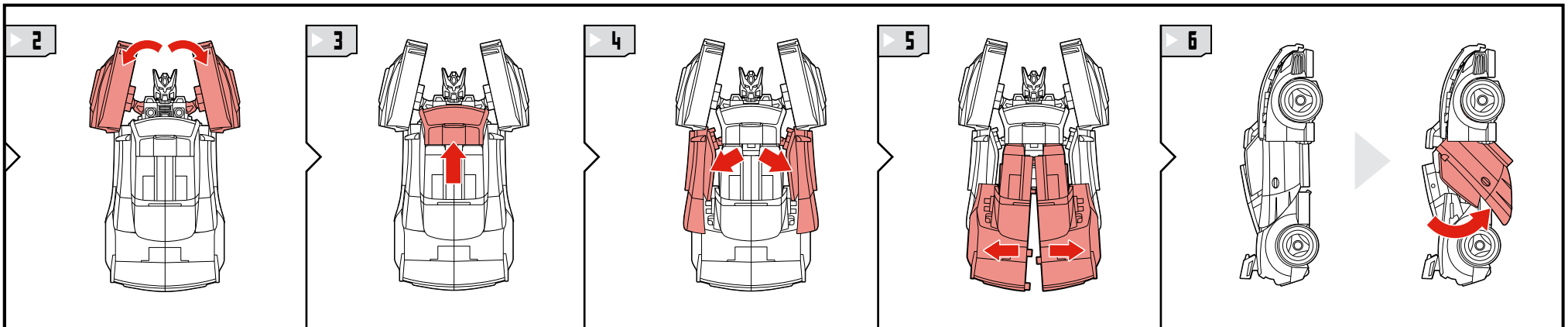
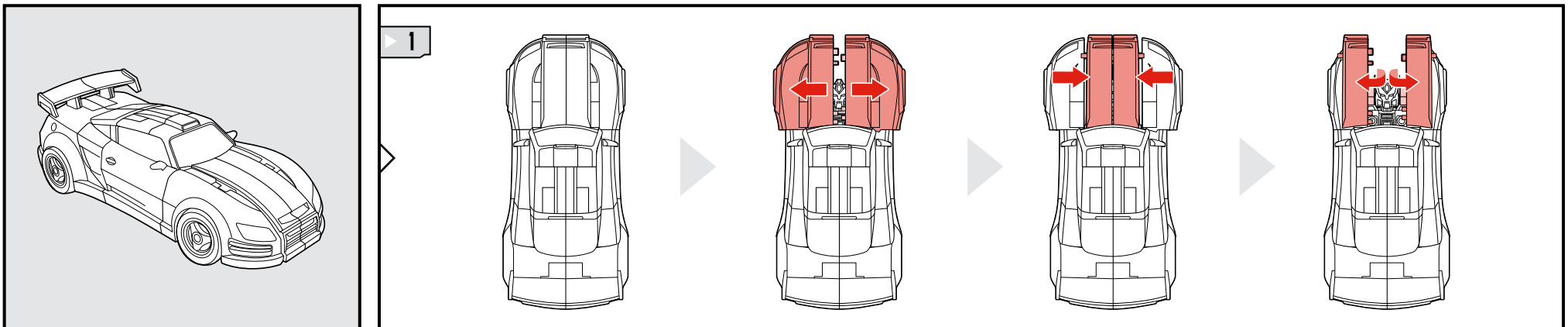
**WARNING:**

CHOKING HAZARD—Small parts.  
Not for children under 3 years.

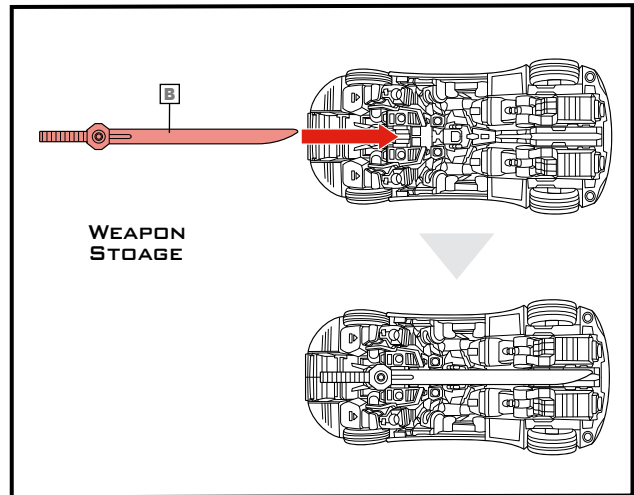
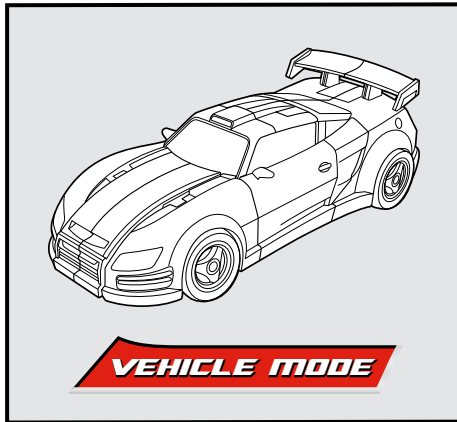
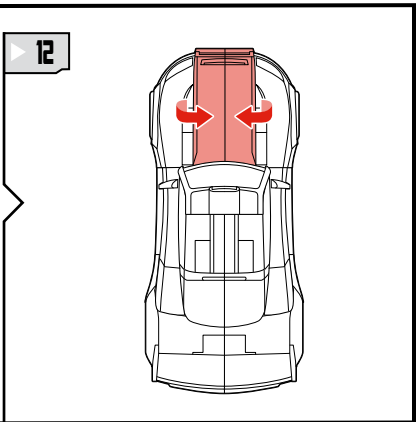
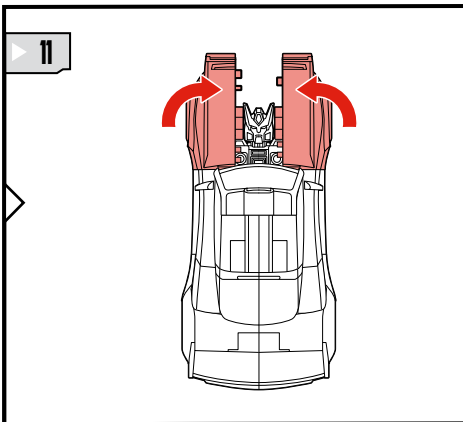
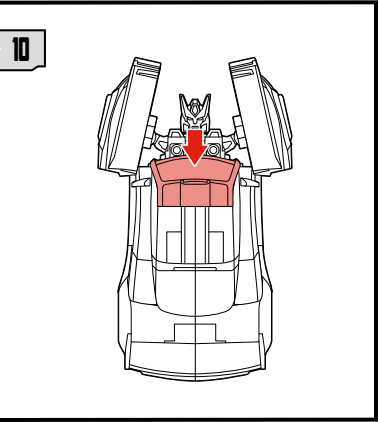
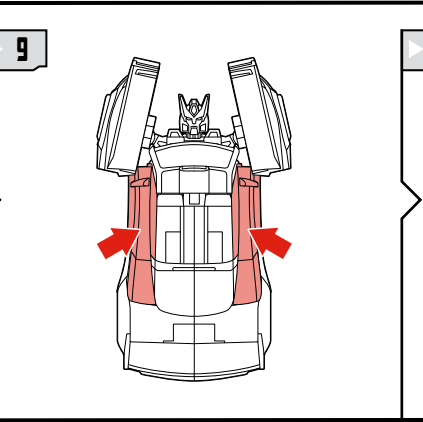
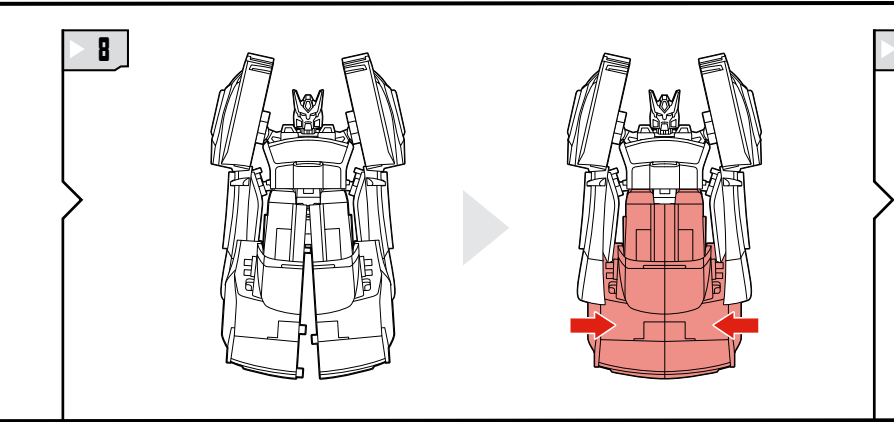
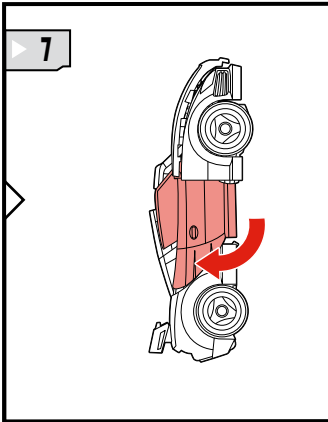
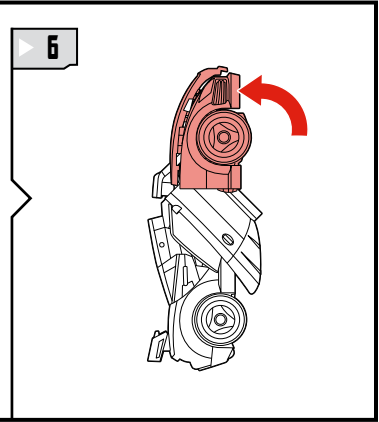
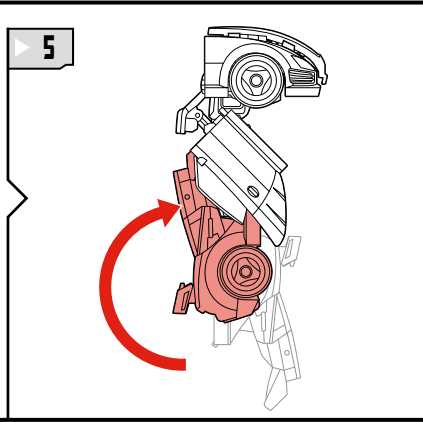
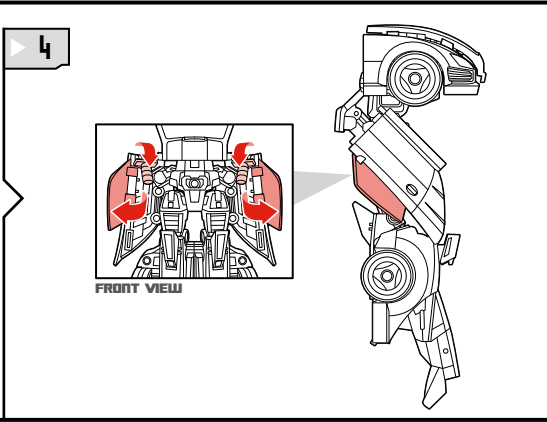
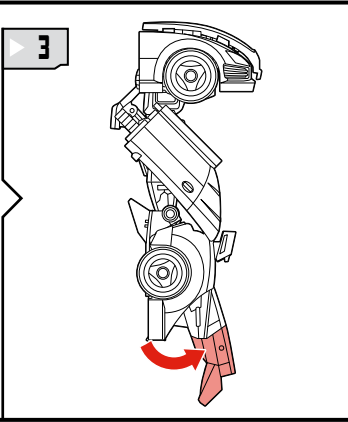
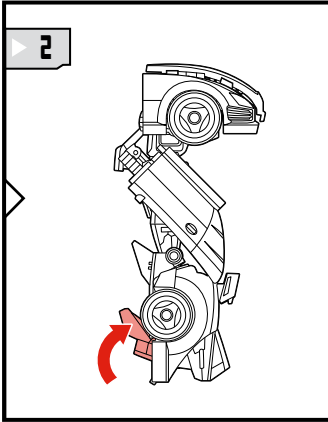
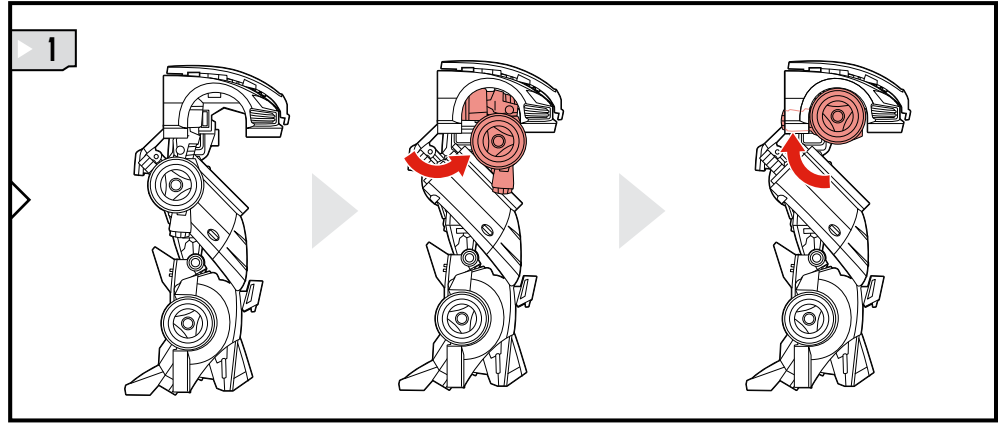
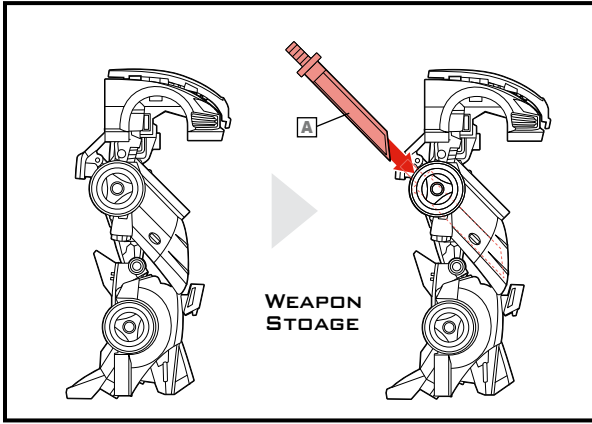
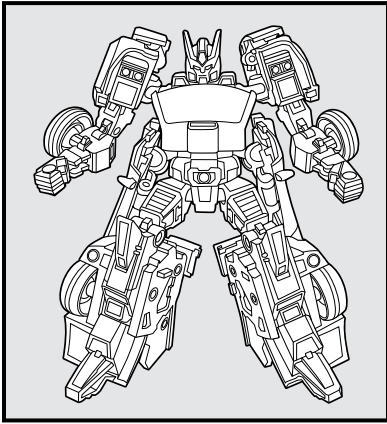
**AGES 5+**  
98455/98452 Asst.

TRANSFORMERS.COM

### CHANGING TO ROBOT



CHANGING TO VEHICLE



P/N 7036610001



© 2009 Hasbro. All Rights Reserved.  
TM & ® denote U.S. Trademarks.  
Manufactured under license from Tomy Company, Ltd.

Retain instructions for future reference.

Some poses may require hand support.



NEED HELP?

[TRANSFORMERS.COM/INSTRUCTIONS](http://TRANSFORMERS.COM/INSTRUCTIONS)



Not suitable for children under 3 years because of small parts - choking hazard.